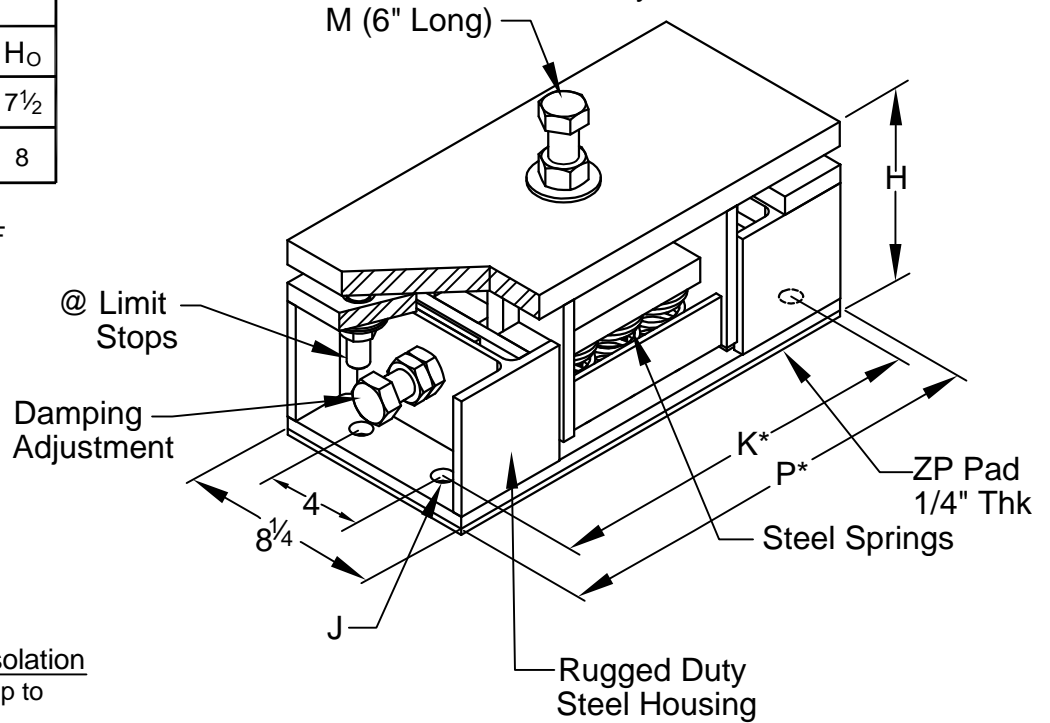


## "T" Adjusting and Attaching Style shown

DIMENSIONS (Inches)						
Size	P	K	J	M	H <sub>F</sub>	H <sub>O</sub>
F	16*	13½*	13/16	¾-10UNC	6¾	7½
G	18	15½	13/16	1-8UNC	7¼	8

\* Dimensions apply to style T  
Add 1" for style U or V to size F



**Shock Protection & Vibration Isolation**  
Steel compression springs rated up to 7,840 lbs, per mount.

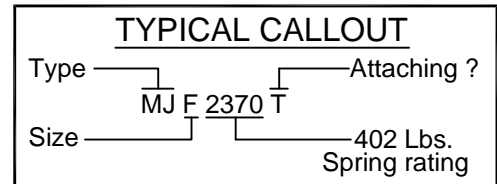
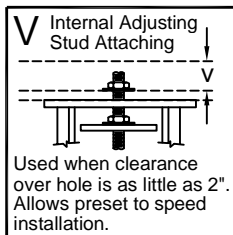
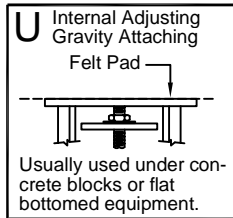
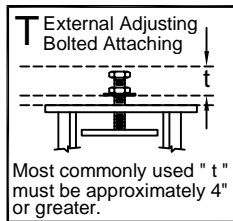
**Shock Protection**  
Punch Presses  
Shears  
Hammer Mills  
Rock Crushers  
Mud Pumps  
Drilling Derricks

**Vibration Isolation**  
Centrifugal Filters  
Generator Sets  
Shakers Screens  
Pebble Mills

H<sub>F</sub> Minimum Free Height  
H<sub>O</sub> Operating Height

@ Limit stops provide protection for drainage, wind and seismic that maybe adequate dependent on equipment and requirement.  
Contact Caldyn for verification.

### Adjusting and Attaching styles



6 SPRINGS			9 SPRINGS		
Mount No.	Max. Load (Lbs)	Spring Rate (Lbs/in)	Mount No.	Max. Load (Lbs)	Spring Rate (Lbs/in)
MJF 1206 ?	1.70	709			
MJF 1464 ?	1.13	1295			
MJF 1776 ?	1.60	1110			
MJF 1908 ?	1.13	1688			
MJF 2370 ?	1.80	1320	MJG 3555 ?	1.80	1980
MJF 3066 ?	1.50	2046	MJG 4599 ?	1.50	3069
MJF 4290 ?	1.30	3300	MJG 6435 ?	1.30	4950
MJF 6360 ?	1.00	6360	MJG 9540 ?	1.00	9540
MJF 9120 ?	.78	11700	MJG 13680 ?	.78	17550
MJF 11760 ?	.78	15090	MJG 17640 ?	.78	22635



CALIFORNIA DYNAMICS CORPORATION  
5572 ALHAMBRA AVE. LOS ANGELES CA, 90032  
PH 323-223-3882 FAX 323-223-7941

email: caldyn@earthlink.net  
"CALL US - TO SET THINGS RIGHT"

Assoc. Member



JOB: \_\_\_\_\_  
CUSTOMER: \_\_\_\_\_  
TAG: \_\_\_\_\_

Dwg. No. <b>F415</b>	Date <b>02/03/14</b>
PREP By:	Date
CHKD By:	Date
<b>DO NOT SCALE DRAWING</b>	

TYPE  
**MJ**  
RUGGED DUTY  
MARINE ISOLATORS  
SIZES F & G