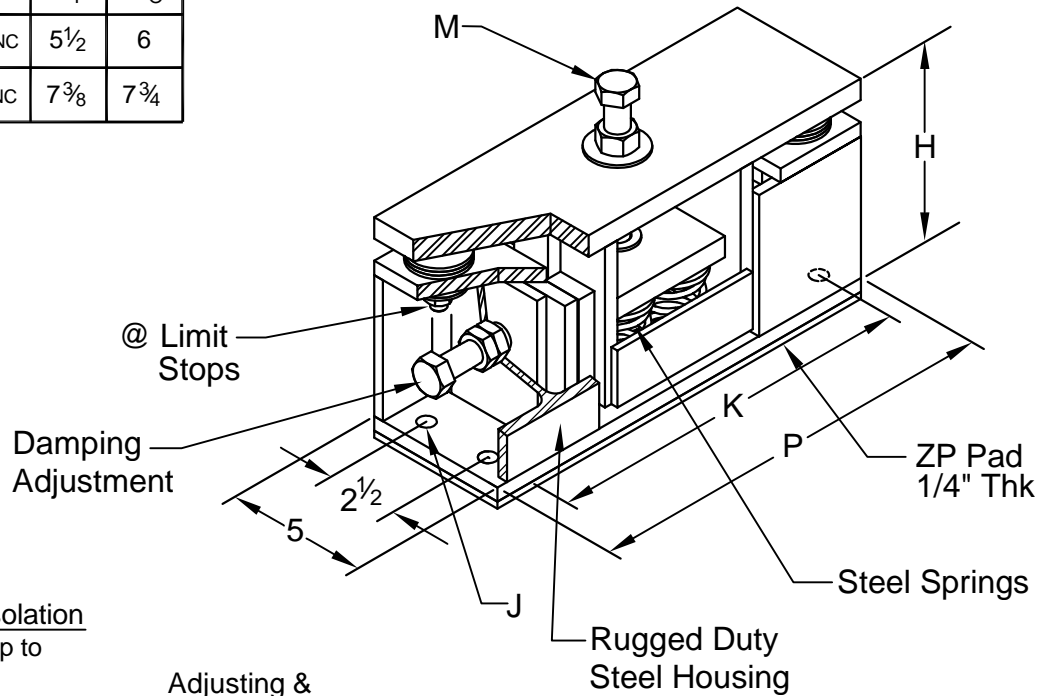


DIMENSIONS (Inches)						
Size	P	K	J	M	H <sub>F</sub>	H <sub>O</sub>
D	11	9½	11/16	5/8-11 UNC	5½	6
E	14¾	13	11/16	¾-10 UNC	7¾	7¾

### "T" Adjusting and Attaching Style shown



**Shock Protection & Vibration Isolation**  
Steel compression springs rated up to 7,840 lbs, per mount.

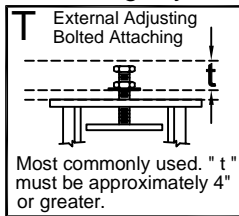
**Shock Protection**  
Punch Presses  
Shears  
Hammer Mills  
Rock Crushers  
Mud Pumps  
Drilling Derricks

**Vibration Isolation**  
Centrifugal Filters  
Generator Sets  
Shakers Screens  
Pebble Mills

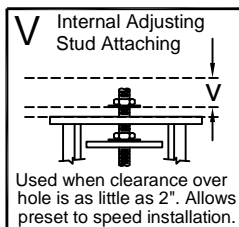
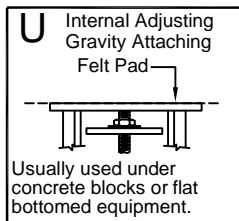
H<sub>F</sub> Minimum Free Height  
H<sub>O</sub> Operating Height

@ Limit stops provide protection for drainage, wind and seismic that maybe adequate dependent on equipment and requirement.  
Contact Caldyn for verification.

#### Adjusting & Attaching Styles



Style U and V not available for size D



TYPICAL CALLOUT	
Type	Attaching ?
Size	402 Lbs. Spring rating
MJ D 402 T	

2 SPRINGS			4 SPRINGS		
Mount No.	Max. Load (Lbs)	Spring Rate (Lbs/in)	Mount No.	Max. Load (Lbs)	Spring Rate (Lbs/in)
MJD 310 ?	2.00	152	MJE 804 ?	1.70	472
MJD 402 ?	1.70	236	MJE 976 ?	1.13	864
MJD 488 ?	1.13	432	MJE 1184 ?	1.60	740
MJD 592 ?	1.60	370			
MJD 636 ?	1.13	562	MJE 1272 ?	1.13	1124
MJD 790 ?	1.80	440	MJE 1580 ?	1.80	880
MJD 1022 ?	1.50	682	MJE 2044 ?	1.50	1364
MJD 1430 ?	1.30	1100	MJE 2860 ?	1.30	2200
MJD 2120 ?	1.00	2120	MJE 4240 ?	1.00	4240
MJD 3040 ?	.78	3900	MJE 6080 ?	.78	7800
MJD 3920 ?	.78	5030	MJE 7840 ?	.78	10060

# CALDYN

CALIFORNIA DYNAMICS CORPORATION  
5572 ALHAMBRA AVE. LOS ANGELES CA, 90032  
PH 323-223-3882 FAX 323-223-7941

email: caldyn@earthlink.net  
"CALL US - TO SET THINGS RIGHT"

Assoc. Member



JOB: \_\_\_\_\_  
CUSTOMER: \_\_\_\_\_  
TAG: \_\_\_\_\_

Dwg. No. <b>F414</b>	Date <b>02/04/14</b>
PREP By:	Date
CHKD By:	Date
DO NOT SCALE DRAWING	

TYPE  
**MJ**  
RUGGED DUTY  
MARINE ISOLATORS  
SIZES D & E