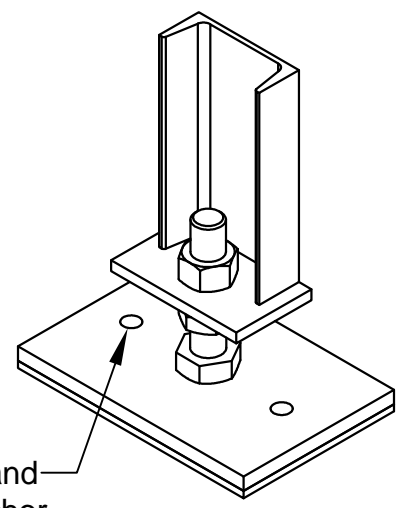


**Floor Stand Standard foot Installation instructions**

1. Install floor stand feet onto floor stand legs as shown in referenced pictorial above and lightly tighten floor stand feet nuts. Place assembled floor stand at proper location and mark the location of floor stand feet anchor holes. Remove floor stand then remove floor stand feet.
2. Install floor stand feet at previously marked anchor hole locations and anchor floor stand feet to floor. Anchors nuts and washers not provided by Caldyn.
3. Adjust 1-8 UNC jam nut.
4. Re-install floor stand onto anchored feet.
5. Re-install 1-8 UNC hex nut.
6. Level floor stand to nominal dimensional height per Caldyn floor stand drawing. Floor stand has a tolerance of +/- 3/4" from nominal height stated on floor stand drawing. Once floor stand is level, tighten all nuts and proceed to install equipment onto floor stand. Installation of floor stand and equipment is by others.



Floor Stand Feet Anchor Holes

**CALDYN**  
 CALIFORNIA DYNAMICS CORPORATION  
 5572 ALHAMBRA AVE. LOS ANGELES CA, 90032  
 PH 323-223-3882 FAX 323-223-7941  
 email: caldyn@earthlink.net  
 "CALL US - TO SET THINGS RIGHT"  
 Assoc. Member **VISCMA**

JOB: \_\_\_\_\_  
 CUSTOMER: \_\_\_\_\_  
 TAG: \_\_\_\_\_

Dwg. No. <b>F42</b>	Date <b>04/15/14</b>
PREP By:	Date
CHKD By:	Date
DO NOT SCALE DRAWING	

TYPE **LW**  
 STANDARD FOOT  
 INSTALLATION  
 INSTRUCTIONS  
 FOR  
 2 HOLE BASE PLATE