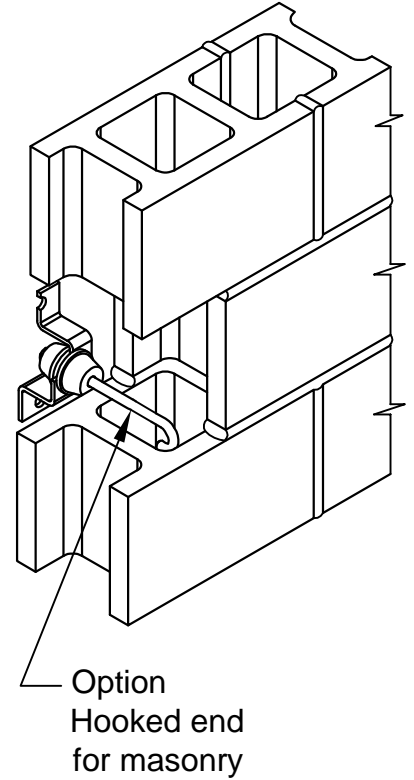
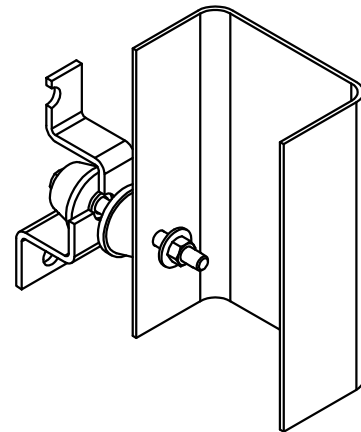


Concrete Block End



Standard Steel End



| | Size A | Size B | Size C |
|-------------------------------------|--------------------|------------------|------------------|
| L | 4 ^{1/2} | 5 ^{7/8} | 6 ^{7/8} |
| W | 2 | 2 ^{1/2} | 3 |
| H | 4 | 5 ^{1/4} | 6 ^{1/4} |
| A | 3 ^{1/2} | 4 ^{7/8} | 5 ^{5/8} |
| B | 2 ^{11/16} | 3 ^{3/4} | 4 |
| ØC | 7/16 | 9/16 | 11/16 |
| D | 3/8 | 5/8 | 3/4 |
| Min. weight to Establish 6 Hz | 55# | 120# | 300# |
| Max. Assigned Wall weight per brace | 130# | 400# | 1100# |

CALDYN

CALIFORNIA DYNAMICS CORPORATION
5572 ALHAMBRA AVE. LOS ANGELES CA, 90032

PH 323-223-3882 FAX 323-223-7941

email: caldyn@earthlink.net

"CALL US - TO SET THINGS RIGHT"

Assoc. Member



JOB:

CUSTOMER:

TAG:

Dwg. No.

F508

Date

01/29/14

PREP By:

Date

CHKD By:

Date

DO NOT SCALE DRAWING

TYPE

KR

ACOUSTIC
WALL
SUPPORT