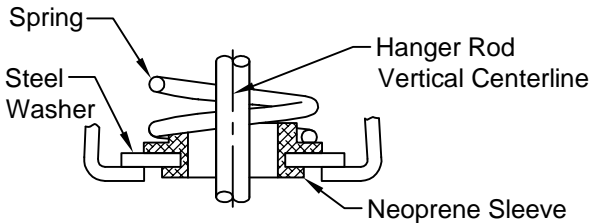
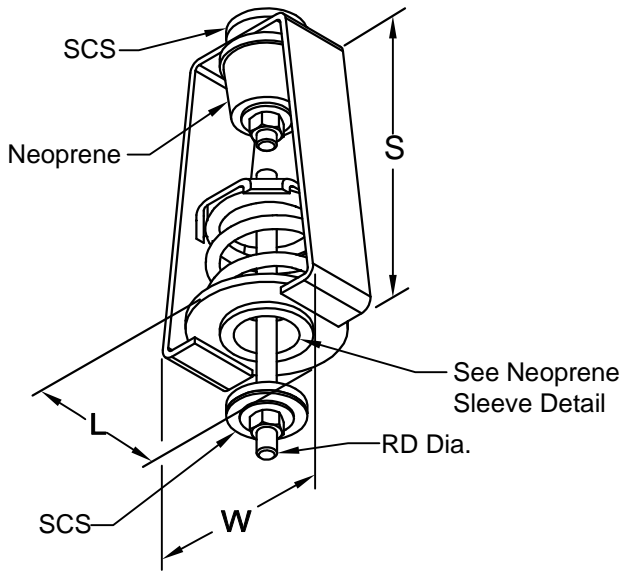
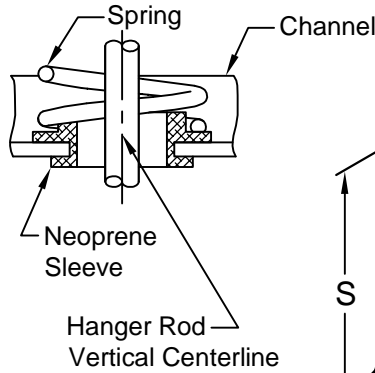


**BASIC HANGER
HH30SCS FT30 - F590**

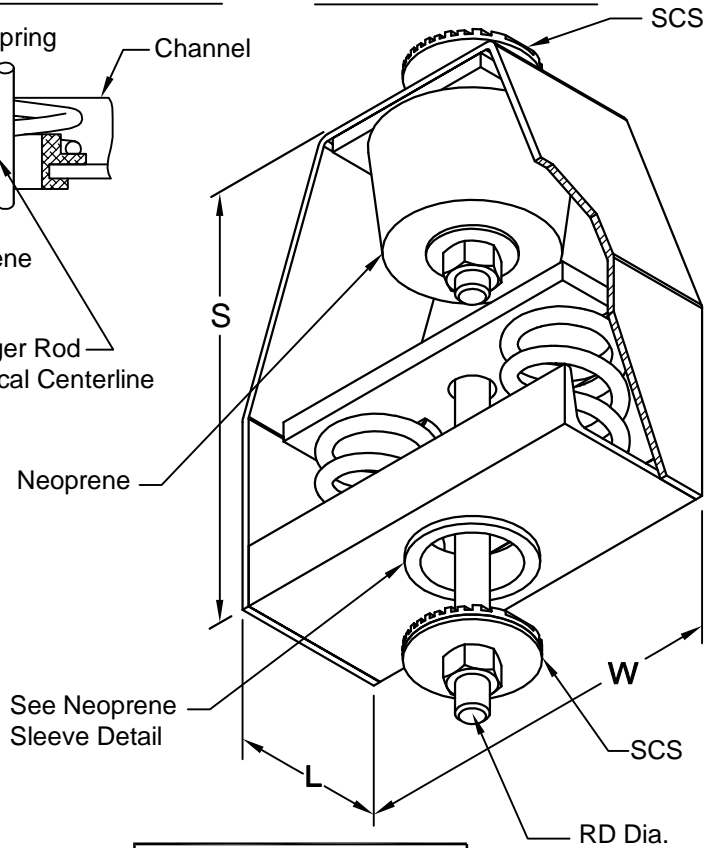


NEOPRENE SLEEVE DETAIL

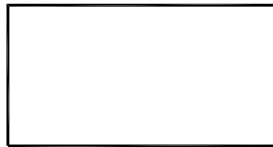
NEOPRENE SLEEVE DETAIL



***EXTRA STRENGTH HANGER
HH30SCS F696 - F3420**



HANGER LOCATION



HANGER SELECTION	HANGER LOCATION

TYPICAL CALLOUT

HH30SCS - FT241
(Type) - (Load)

HH30SCS Max. Load (lbs)	DIMENSIONS (Inches)									
	SFH	NFH	S	W	L	SCS Ø	** RD			
FT 30 FT 41	3-1/2	1-1/2	8	5	4	2-3/8	1/2			
FT 60 FT 85	3-3/4									
FT 121	4									
FT 171 FT 241	4-1/4 4-1/2	1-3/4	10	5-1/4	4-1/2	3	5/8			
F 348 F 453 F 590	5									
F 696 * F 906 * F 1180 *								2-1/2		
F 1352 * F 1574 * F 1836 *		2-3/4	12	10-3/8	4	7/8				
F 2318 * F 2816 * F 3420 *	6-1/2						14-1/4		12-3/8	5

Type HH30SCS is used where uncertain alignment is anticipated during installation. At normal load the hanger rod will operate to a full 15° tilt in any direction from vertical centerline.

Springs rated deflection is 2" + Neoprene rated deflection 1/2" = 2-1/2".

SFH - Spring Free Height.
NFH - Neoprene Free Height.

*The housings of these units are specially reinforced for extra strength.

** Rod Diameter (RD)
Rod, nuts and washers by others.

Seismic Cushion Stop (SCS)	
	Upper long life Rubber Cushion
	Lower long life Rubber Cushion. Bonded to steel plate.



CALIFORNIA DYNAMICS CORPORATION
5572 ALHAMBRA AVE. LOS ANGELES CA, 90032
PH 323-223-3882 FAX 323-223-7941

email: caldyn@earthlink.net
"CALL US - TO SET THINGS RIGHT"

Assoc. Member



JOB: _____

CUSTOMER: _____

TAG: _____

Dwg. No. **F592** Date **01/08/14**

PREP By: _____ Date _____

CHKD By: _____ Date _____

DO NOT SCALE DRAWING

TYPE
HH30SCS
15° Tilt
2-1/2" DEFLECTION
COMBINATION HANGER
SPRING & NEOPRENE
WITH SEISMIC
CUSHION STOP