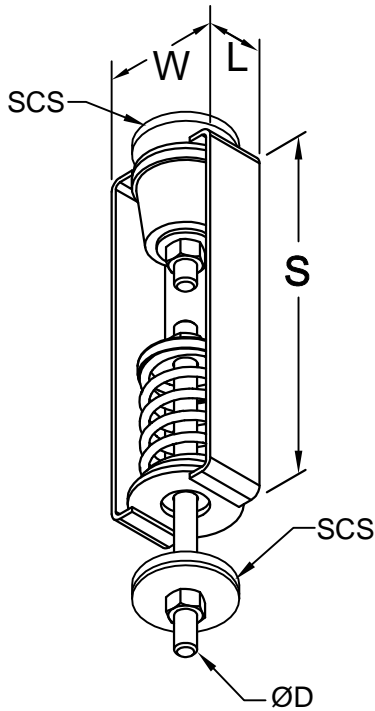
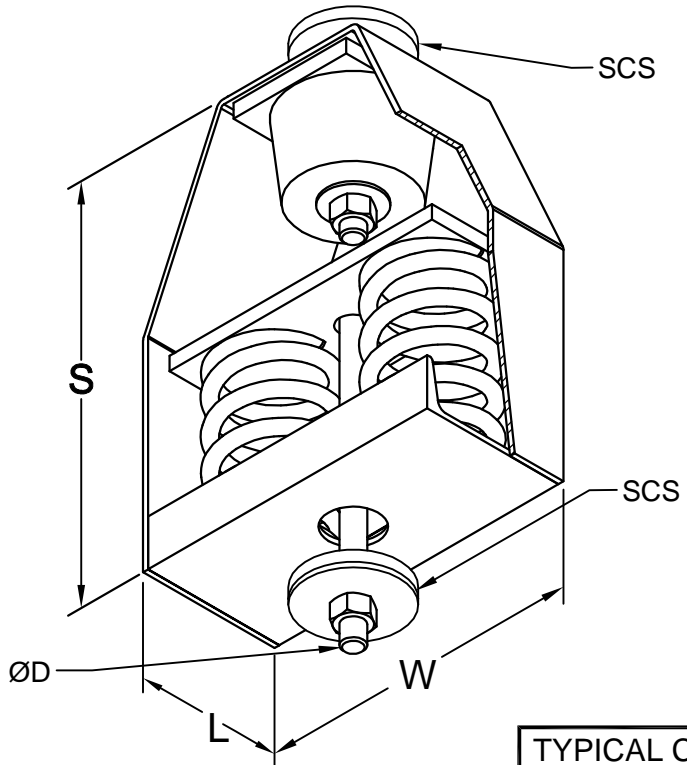


**BASIC HANGER**  
**HHSCS-F59 - HHSCS-F918**



**\* EXTRA STRENGTH HANGER**  
**HHSCS-F1159 - HHSCS-F3420**



**TYPICAL CALLOUT**  
 HHSCS - F120  
 (Type) - (Load)

**Notes:**

Spring rated deflection 2"  
 + Neoprene rated deflection  
 1/2" = 2-1/2" deflection.

Free Height Listed = SFH

Neoprene Free Height = NFH

\* The housing of these units are specially reinforced for extra strength.

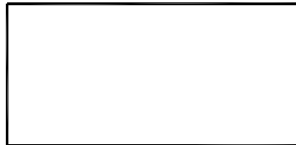
Rod Diameter (RD)

Rod, nuts and washers are by others.

Minimum Additional Travel

50% of rated deflection at rated load.

**Hanger Location**



Hanger Selection	Hanger Location

**Seismic Cushion Stop (SCS)**



Upper Long Life Rubber Cushion



Lower Long Life Rubber Cushion bonded to steel plate.

HHSCS Max. Load (lbs)	DIMENSIONS (Inches)							
	SFH	NFH	S	W	L	Stop plate	ØD	
F59 F83 F120	4-1/4	1-1/2	9	3	2-1/2	2-3/8	1/2	
F155 F195 F241								
F348 F453	5	2-1/2	10	5-1/2	4-1/2	3	5/8	
F590 F676 F787 F918								
F1159 *	6-3/8	2-3/4	13-1/2	6	5	3	7/8	
F1408 * F1710 *								
F2318 * F2816 * F3420 *			14	11				



CALIFORNIA DYNAMICS CORPORATION  
 5572 ALHAMBRA AVE. LOS ANGELES CA, 90032  
 PH 323-223-3882 FAX 323-223-7941

email: caldyn@earthlink.net  
 "CALL US - TO SET THINGS RIGHT"

Assoc. Member



JOB: \_\_\_\_\_  
 CUSTOMER: \_\_\_\_\_  
 TAG: \_\_\_\_\_

Dwg. No. **F357** Date **02/04/14**  
 PREP By: \_\_\_\_\_ Date \_\_\_\_\_  
 CHKD By: \_\_\_\_\_ Date \_\_\_\_\_

DO NOT SCALE DRAWING

TYPE  
**HHSCS**  
 COMBINATION HANGER  
 SPRING & NEOPRENE  
 WITH  
 SEISMIC STOP CUSHION  
 2-1/2" DEFLECTION