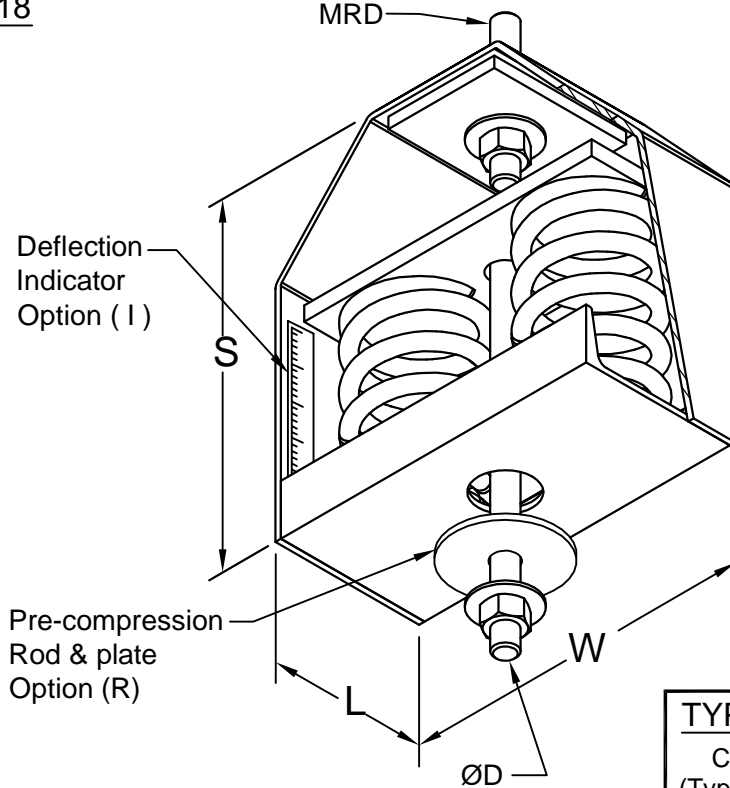
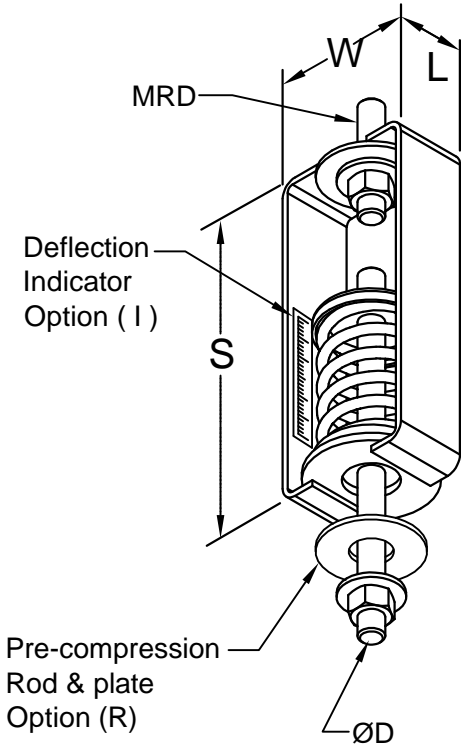


**\* EXTRA STRENGTH HANGER**  
**CH-F1159 - CH-F3420**

**BASIC HANGER**  
**CH-F59 - CH-F918**



**TYPICAL CALLOUT**  
 CH - F120 - R I  
 (Type) - (Load) - (Options)

**Notes:**

\*The housings of these units are specially reinforced for extra strength.

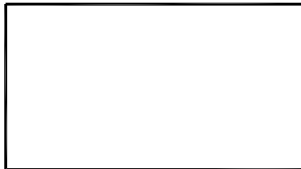
All housing sizes have been tested to carry 5 times maximum load without failure.

\*\* The pre-compression rod is furnished with units which have the "R" option (specify Rod Dia.). This rod will extend about 3" below the bottom of hanger housing.

Maximum Rod Diameter (MRD)  
 Rod, nuts and washer are by others.

Minimum Additional Travel  
 50% of rated deflection at rated load.

**Hanger Location**



Hanger Selection	Hanger Location

CH Max. Load (lbs)	DIMENSIONS (Inches)				
	S	W	L	MRD	ØD
F 59 F 83 F 120 F 155 F 195	9	3	2-1/2	1/2	1/2
FT 241				5/8	
F 348 F 453	8-1/2	5-1/2	4-1/2	3/4	3/4
F 590 F 676 F 787 F 918				7/8	7/8
F 1159* F 1408* F 1710*				11	5
F 2318* F 2816* F 3420*	11-1/4	11	5	7/8	7/8



CALIFORNIA DYNAMICS CORPORATION  
 5572 ALHAMBRA AVE. LOS ANGELES CA, 90032  
 PH 323-223-3882 FAX 323-223-7941  
 email: caldyn@earthlink.net  
 "CALL US - TO SET THINGS RIGHT"

Assoc. Member



JOB: \_\_\_\_\_  
 CUSTOMER: \_\_\_\_\_  
 TAG: \_\_\_\_\_

Dwg. No. **F358** Date **02/06/14**  
 PREP By: \_\_\_\_\_ Date \_\_\_\_\_  
 CHKD By: \_\_\_\_\_ Date \_\_\_\_\_  
 DO NOT SCALE DRAWING

TYPE  
**CH**  
 SPRING HANGER  
 2" DEFLECTION