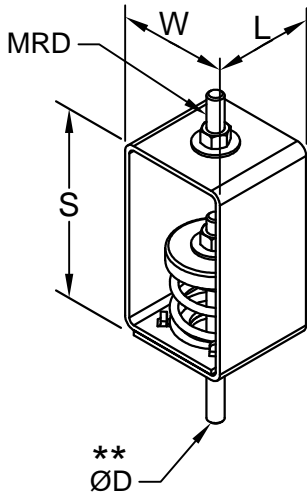
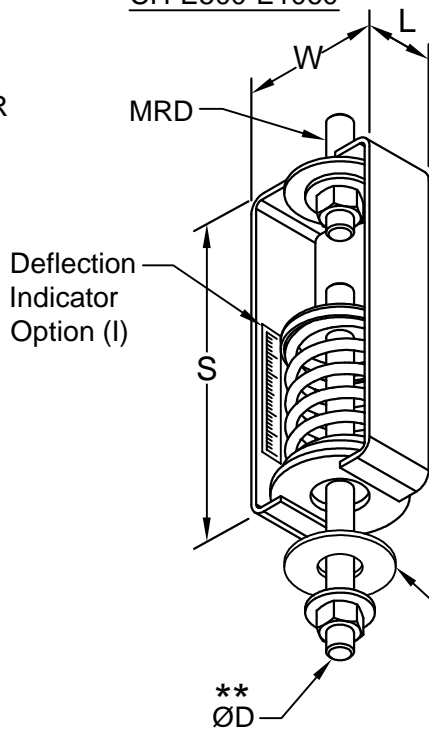


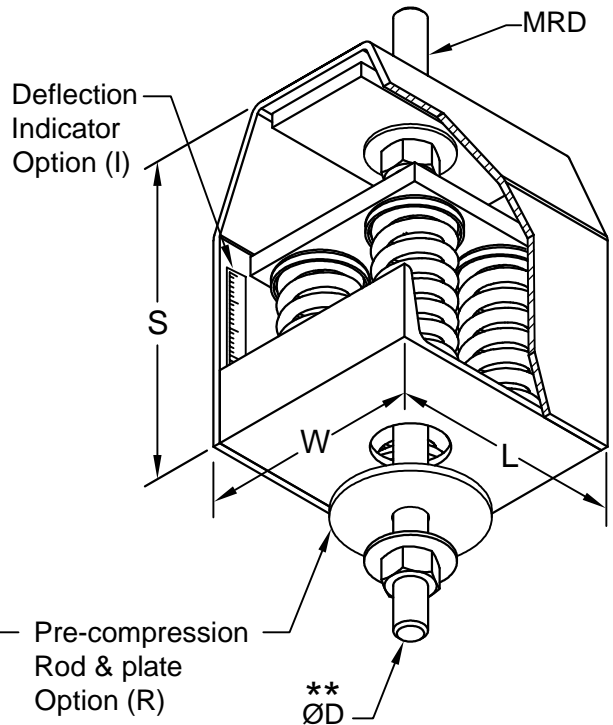
LIGHT WEIGHT HANGER
CH-E21 - E415



BASIC HANGER
CH-E500-E1060



*** EXTRA STRENGTH HANGER**
CH-E1580 - E2860



TYPICAL CALLOUT

CH - E106 - R I
(Type) - (Size) - (Options)

Notes:

* The housings of these units are specially reinforced for extra strength

** The pre-compression rod is furnished with units which have the "R" option (specify Rod Dia) this rod will extend about 3" below the bottom of the hanger housing.

Maximum Rod Diameter (MRD)
Rod, nuts and washers are by others.

Minimum Additional Travel
50% of required deflection at rated load.

Hanger Location



Hanger Selection	Hanger Location

CH Max. Load (lbs)	DIMENSIONS (Inches)				
	S	W	L	MRD	ØD
E 21 E 55 E 79 E 106	4-3/4	2-3/4	2-1/2	3/4	3/8
E 143 E 187 E 244					1/2
E 318 E 415					5/8
E 500 715 1060	7-1/2	3-1/4	2-3/4		3/4
1580 * 2044 * 2860 *	8-1/4	6	6	7/8	7/8



CALIFORNIA DYNAMICS CORPORATION
5572 ALHAMBRA AVE. LOS ANGELES CA, 90032
PH 323-223-3882 FAX 323-223-7941

email: caldyn@earthlink.net
"CALL US - TO SET THINGS RIGHT"

Assoc. Member



JOB: _____
CUSTOMER: _____
TAG: _____

Dwg. No. **F361**
Date Revised **05/30/14**
PREP By: _____ Date _____
CHKD By: _____ Date _____

TYPE
CH
1" DEFLECTION
SPRING HANGER

DO NOT SCALE DRAWING