



CALIFORNIA DYNAMICS CORP.

LOS ANGELES, CA. 90032-3106

PH (323) 223 - 3882

FAX (323) 223 - 7941

email: caldyn@earthlink.net

APPROVED  
Fixed Equipment Anchorage  
Office of Statewide Health Planning and Development



OPA-0070

on Wednesday, December 01,  
2004

\*\*\*\* Valid for 3 Years Maximum \*\*\*\*

*John D. Gillengerten*  
John D. Gillengerten (916)654-3547

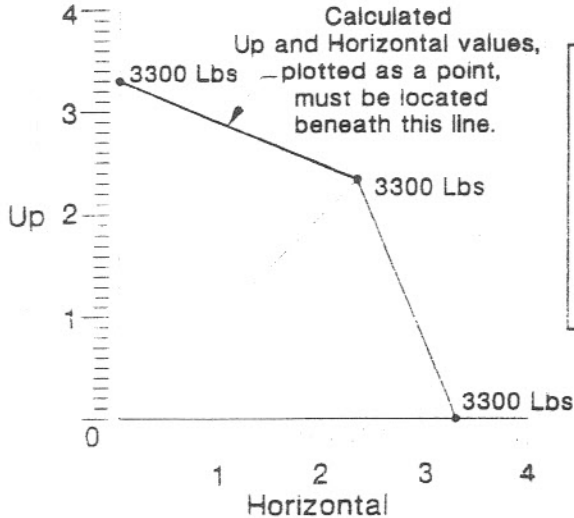
TYPE RL-C

SEISMIC RESTRAINT  
CALIF. PRE-APPROVED  
OPA - 0070

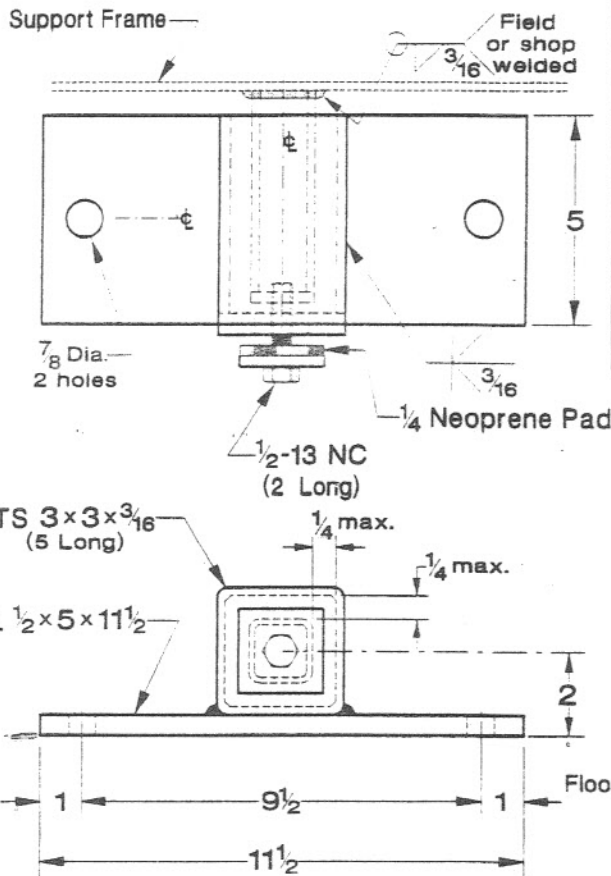
FILE 122

11/08/04

INTERACTION CURVE



NOTICE  
121 File page describing  
PRE-APPROVAL USE  
and applicable NOTES  
is included in this  
OPA-0070 PRE-APPROVAL



ALLOWABLE STRESS DESIGN		
MECHANICAL AND ELECTRICAL COMPONENTS COEFFICIENTS		
Mechanical and Electrical Component or Element	Component Amplification Factor $a_p$	Component Response Modification Factor $R_p$
HVAC System Vibration Isolated	2.5	1.5
General Electrical Equipment	2.5	1.5

RLC Maximum clearance not greater than 1/4 inch  
Design force may be taken as  $F_p$

