



CALIFORNIA DYNAMICS CORP.

LOS ANGELES, CA. 90032-3106

PH (323) 223 - 3882

FAX (323) 223 - 7941

email: caldyn@earthlink.net



**APPROVED**  
Fixed Equipment Anchorage

Office of Statewide Health Planning and Development

OPA-0012

on

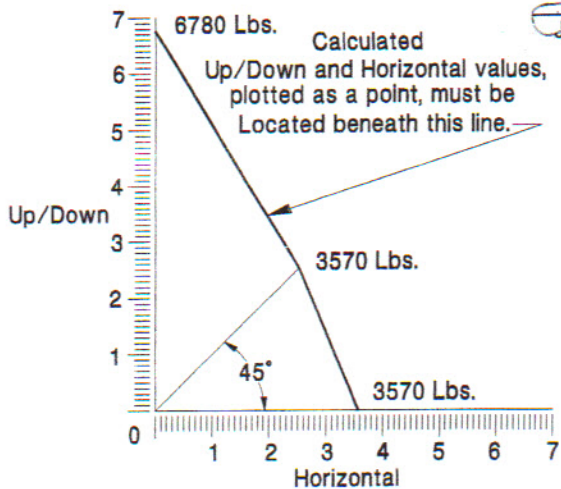
Thursday, September 30, 2004

\*\*\*\* Valid for 3 Years Maximum \*\*\*\*

*John D. Gillengerten*  
John D. Gillengerten (916)654-3547

TYPE **RJJEQ**  
ISOLATOR/RESTRAINT  
W/CALIF. PRE-APPROVED  
SEISMIC PROTECTION  
OPA - 0012  
FILE 297 9/17/04

**INTERACTION CURVE**



**NOTICE**  
297A File page describing  
**PRE-APPROVAL USE:**  
is included in  
OPA - 0012 PRE-APPROVAL



**ALLOWABLE STRESS DESIGN**

$$F_p = \frac{a_p C_a I_p}{R_p} \left( 1 + 3 \frac{h_x}{h_r} \right) W_p$$

Where :

$a_p = 2.5$  (Isolated),  $R_p = 1.5$  (Isolated),  $I_p = 1.5$  (Hospital)

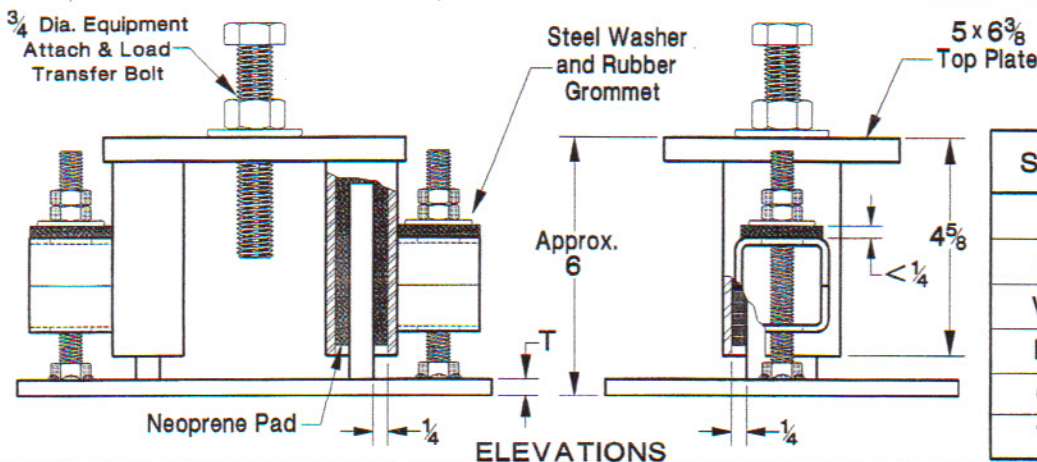
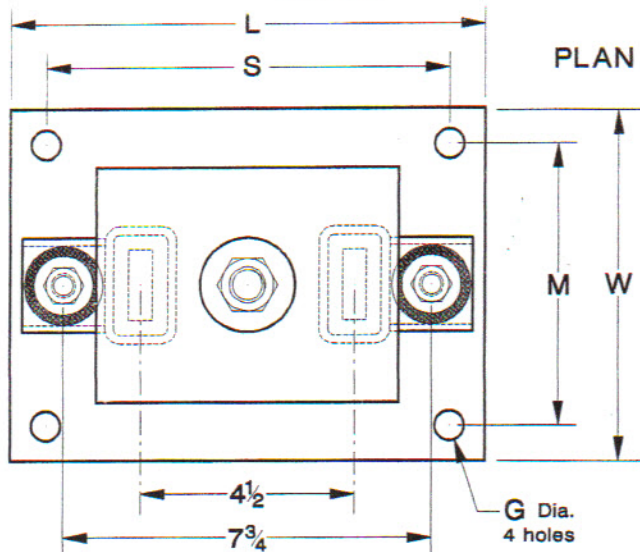
Except that:

$F_p$  shall not be less than  $0.7 C_a I_p W_p$  and  
need not be more than  $4 C_a I_p W_p$

and  $F_p = F_p / 1.4$  (1612.3.1, 2001 CBC)

**NOTES :**

- 1.) Design of anchorage to Structure by the structural engineer of Record.
- 2.)  $F_p$  for shallow or Expansion anchors shall be increased by factor of 1.3 per 2001 CBC Table 16A-0, Footnote 14
- 3.) RJJEQ Maximum clearance not greater than 1/4 inch  
Design force may be taken as  $F_p$



All dimensions in inches.

Size	A	B	C	D
L	10	10	12	12
S	8 1/2	8 1/2	10	10
W	7 1/2	9	10 1/2	12
M	6	7 1/2	9	10
G	5/8	3/4	7/8	7/8
T	3/8	3/8	1/2	1/2