



CALIFORNIA DYNAMICS CORP.

LOS ANGELES, CA. 90032-3106

PH (323) 223 - 3882

FAX (323) 223 - 7941

email: caldyn@earthlink.net



APPROVED

Fixed Equipment Anchorage

Office of Statewide Health Planning and Development

OPA-0070

on Wednesday, December 01,

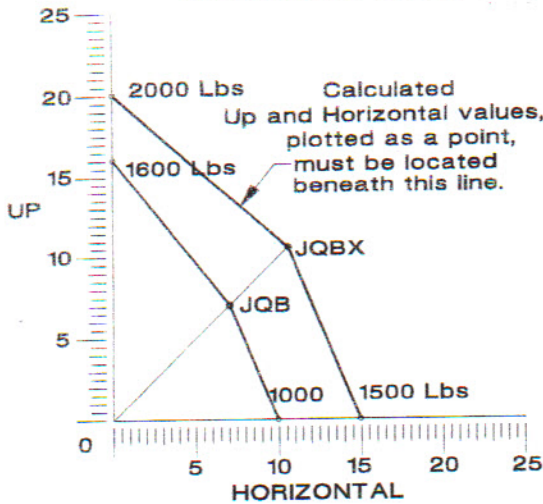
2004

**** Valid for 3 Years Maximum ****

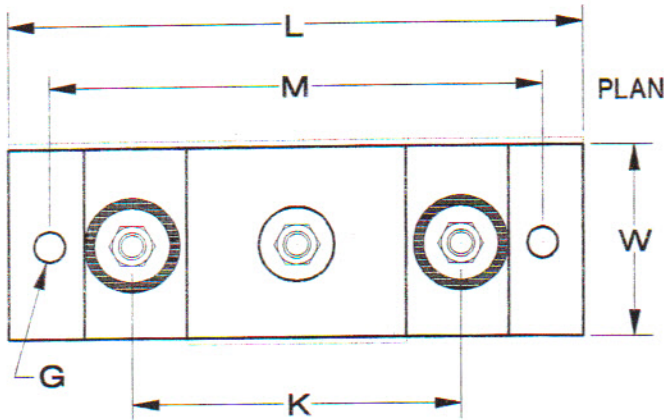
John D. Gillengerten
John D. Gillengerten (916)654-3547

TYPE JQ
ISOLATOR/RESTRAINT
W/CALIF.PRE-APPROVED
SEISMIC PROTECTION
OPA - 0070
FILE 303 11/08/04

INTERACTION CURVE



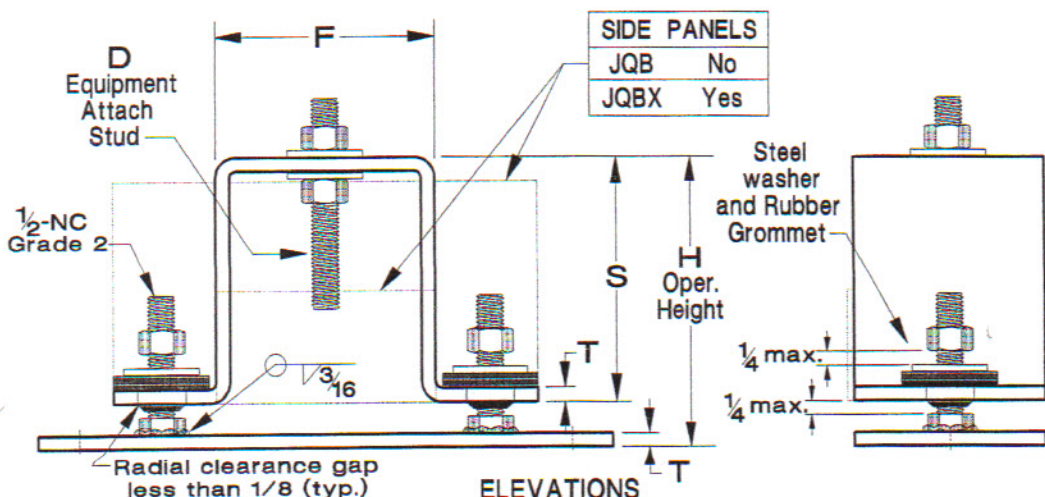
NOTICE
301 File page describing
PRE-APPROVAL USE
and applicable NOTES
is included in this
OPA-0070 PRE-APPROVAL



ALLOWABLE STRESS DESIGN		
MECHANICAL AND ELECTRICAL COMPONENTS COEFFICIENTS		
Mechanical and Electrical Component or Element	Component Amplification Factor a_p	Component Response Modification Factor R_p
HVAC System Vibration Isolated	2.5	1.5
General Electrical Equipment	2.5	1.5

JQ Maximum clearance not greater than 1/4 inch
Design force may be taken as F_p

All dimensions in inches.



	JQB	JQBX
L	10½	10½
W	3½	3½
D	½-NC	½-NC
M	9	9
H	5½	5½
G	1¼/16	1¼/16
K	6	6
F	4	4
S	4½	4½
T	¼	¼