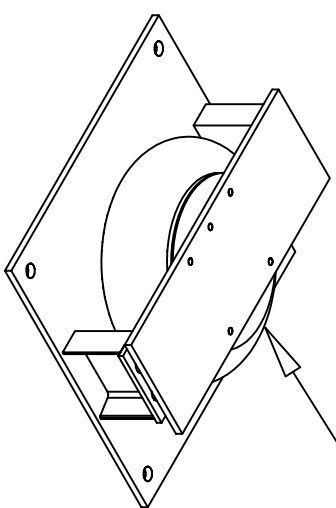
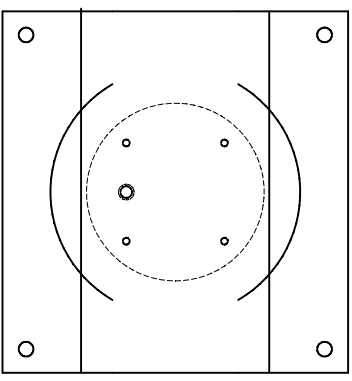
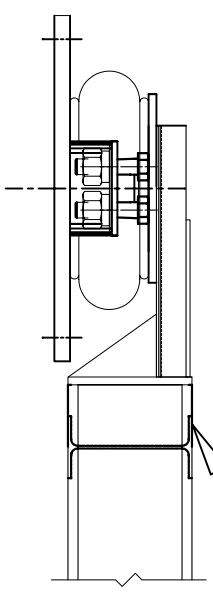
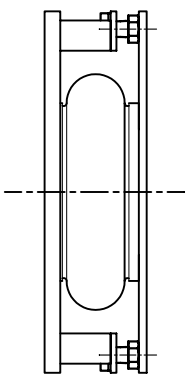


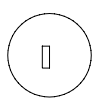
VIBRATION/ISOLATION & SEISMIC DETAIL



AS TYPE
AIR MOUNT



STRUCTURAL
STEEL



SCALE
N.T.S.

AIR MOUNT