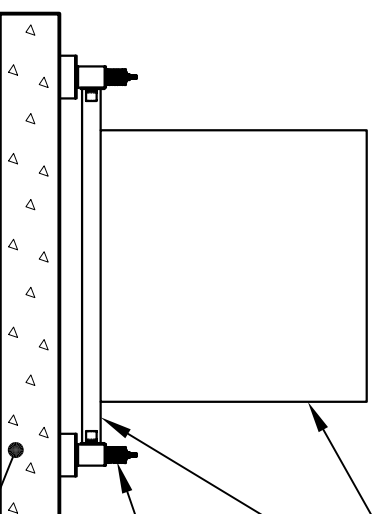
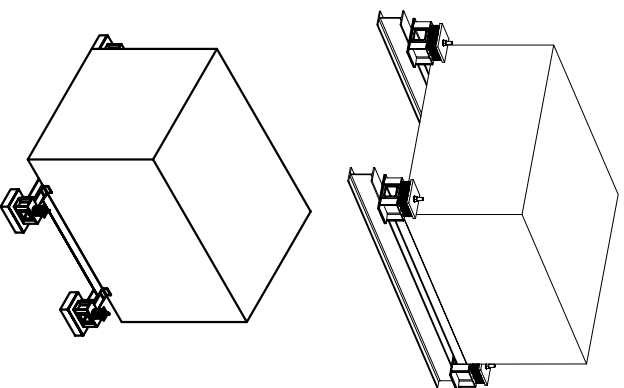


# VIBRATION/ ISOLATION & SEISMIC DETAIL

## FOR RETROFIT PROJECTS:

1. HQ ISOLATOR/ RESTRAINT SHOULD BE SPECIFIED & USED IF EXISTING FRAME & EQUIPMENT ARE NOT BE REPLACED; OTHERWISE, USE JQ/ DLK/ GENX/ SSK ISOLATORS.



MECHANICAL EQUIPMENT  
(EXISTING OR NEW)

(E)STEEL

HQ TYPE  
ISOLATOR/ RESTRAINT  
1", 2", 3", & 4" STATIC  
DEFLECTION AVAILABLE

CONCRETE  
(SEE STRUCTURAL  
DRAWINGS FOR  
SUBSTRUCTURE)

-

SCALE

N.T.S.

**HQ TYPE**

**ISOLATOR/ RESTRAINTS**