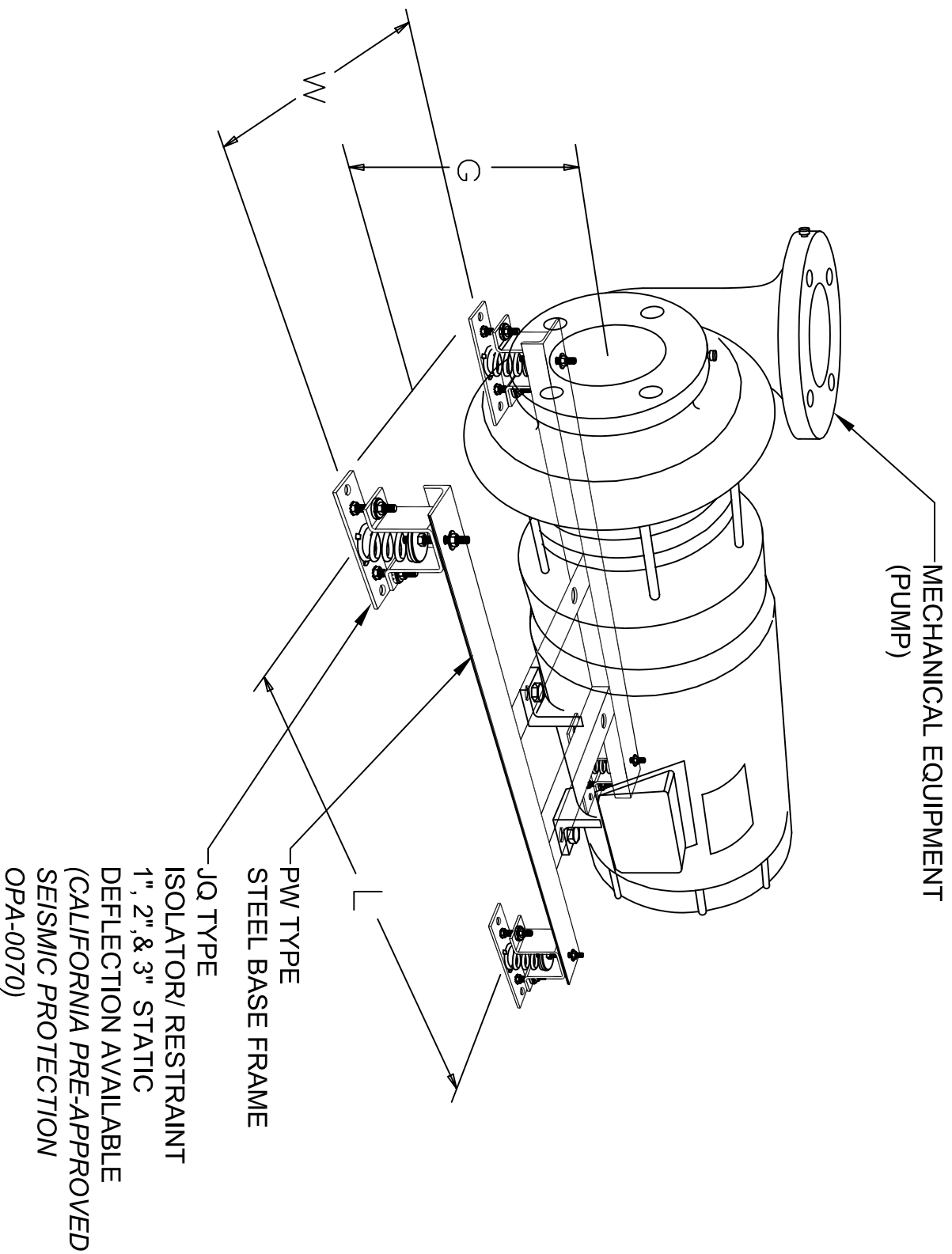


VIBRATION/ISOLATION & SEISMIC DETAIL



SCALE
N.T.S.

**PW-JQ STEEL BASE FRAME
WITH JQ ISOLATOR/ RESTRAINTS**