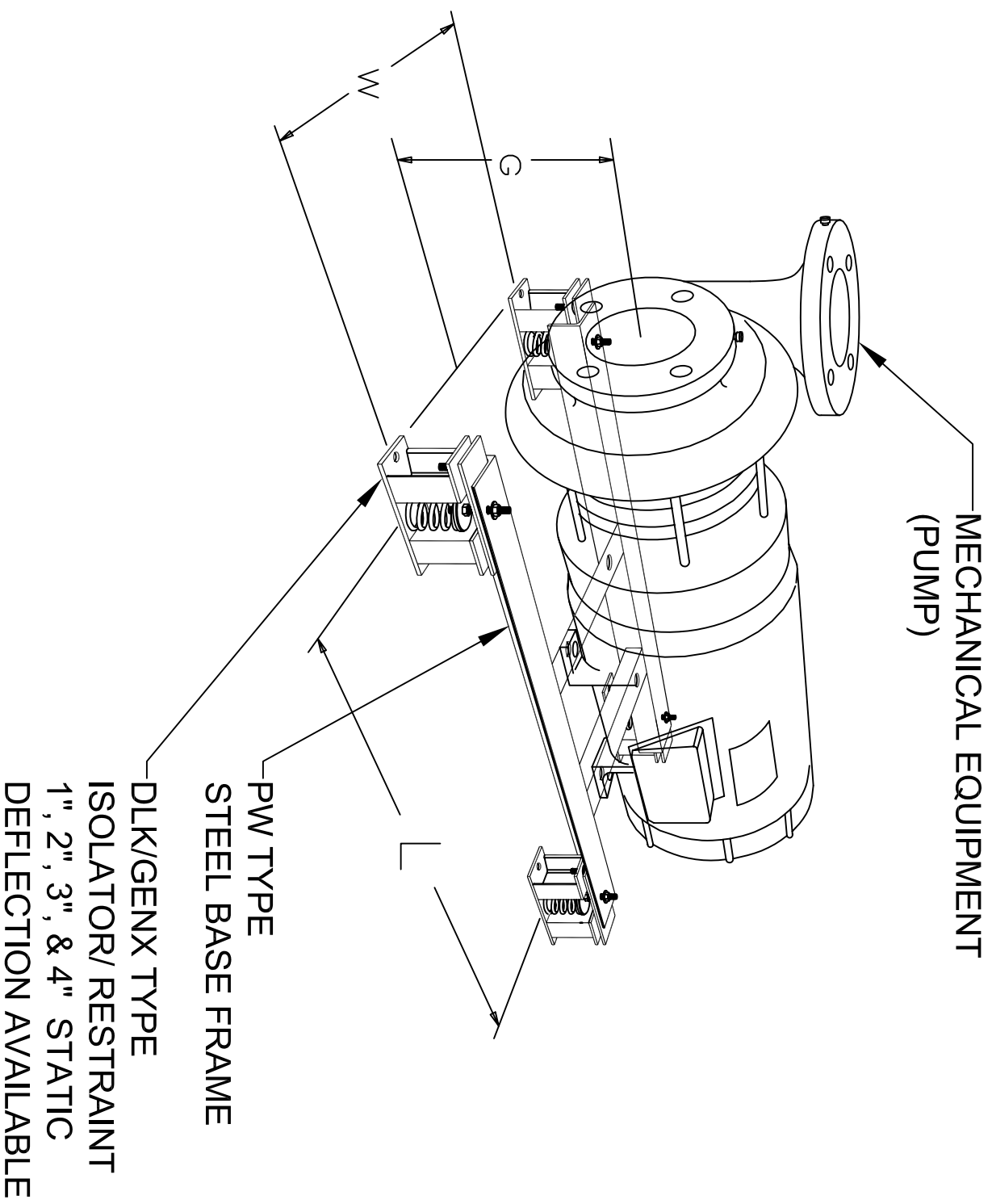


VIBRATION/ISOLATION & SEISMIC DETAIL



SCALE

N.T.S.

**PW-DLK/GENX
INERTIA BASE FRAME
WITH DLK/GENX ISOLATOR/RESTRAINTS**