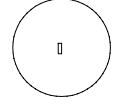
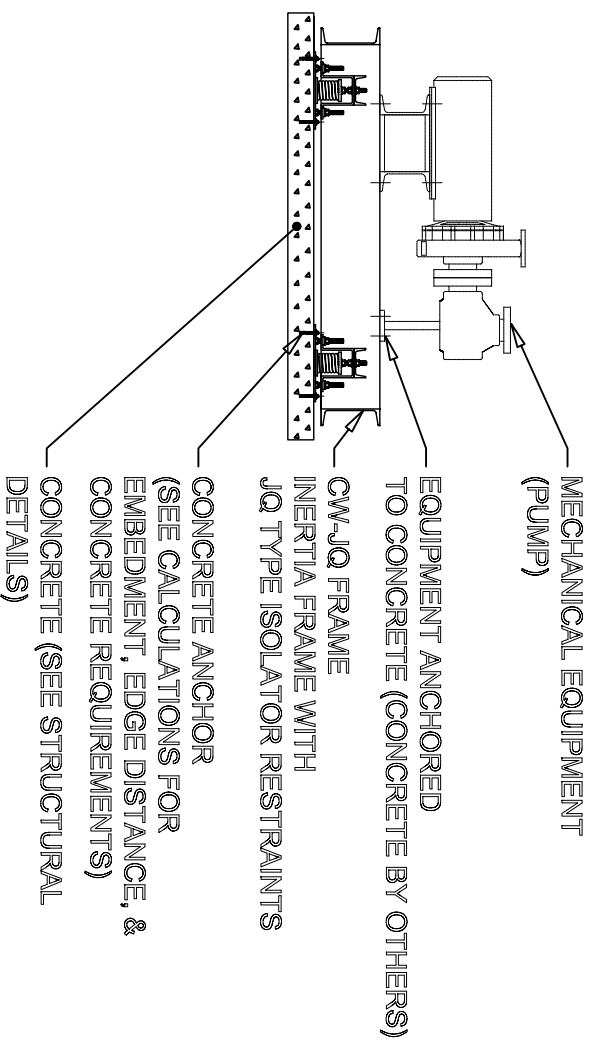
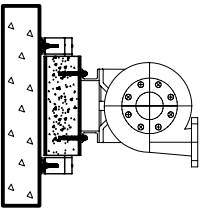
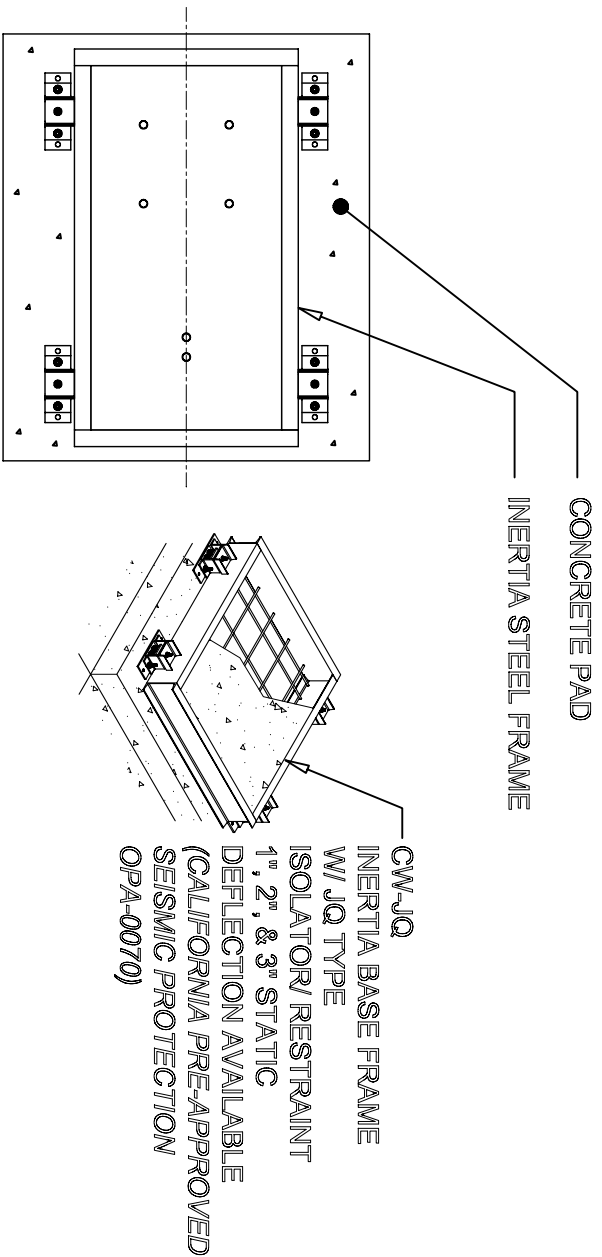


VIBRATION/ISOLATION & SEISMIC DETAIL



SCALE
N.T.S.

CW-JQ
INERTIA BASE FRAME
WITH JQ ISOLATOR/ RESTRAINTS