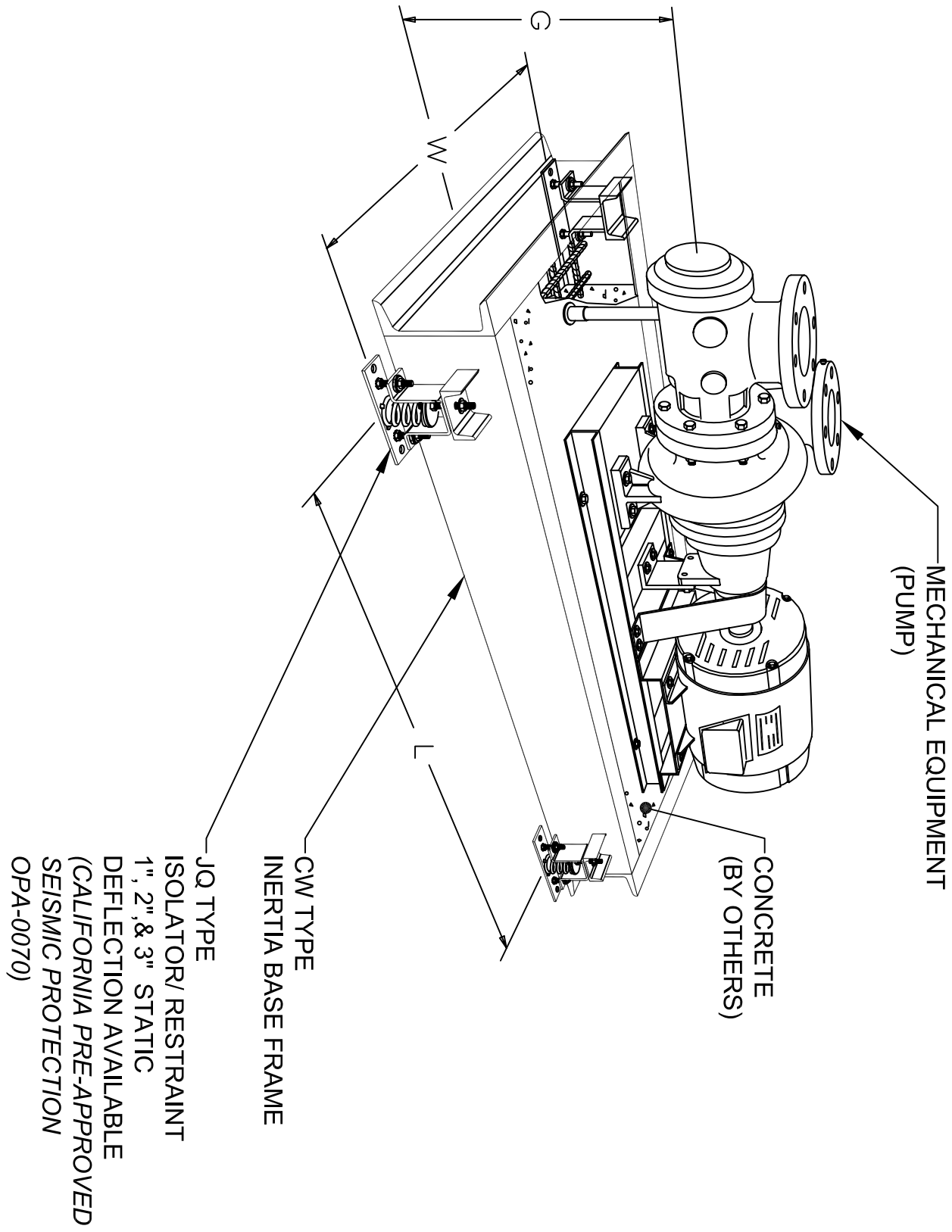


VIBRATION/ISOLATION & SEISMIC DETAIL



SCALE	-
N.T.S.	-

CW-JQ
INERTIA BASE FRAME
WITH JQ ISOLATOR/RESTRAINTS