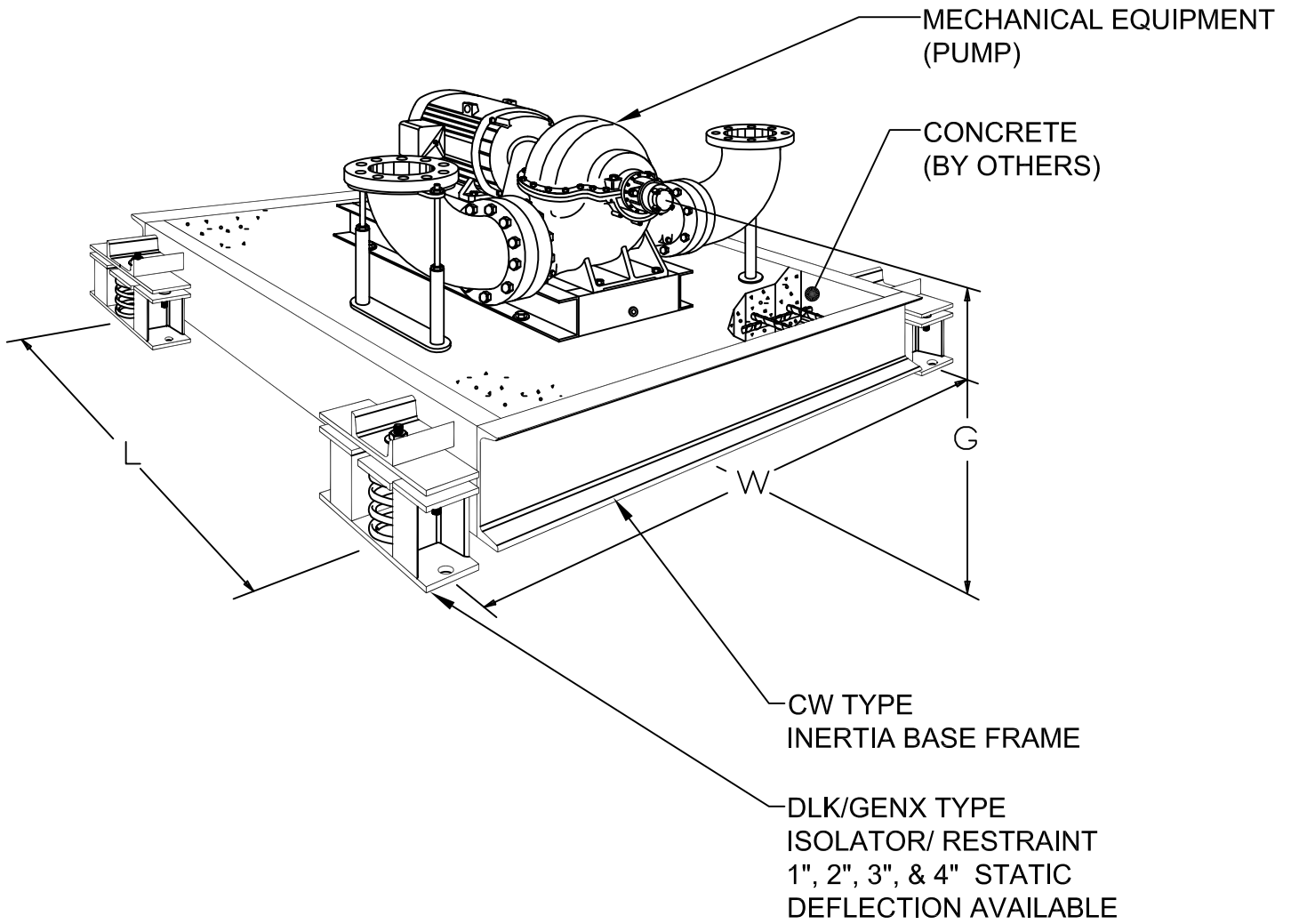


**VIBRATION/ ISOLATION & SEISMIC DETAIL**



SCALE
N.T.S.

**CW-DLK/GENX**  
**INERTIA BASE FRAME**  
**WITH DLK/GENX ISOLATOR/ RESTRAINTS**