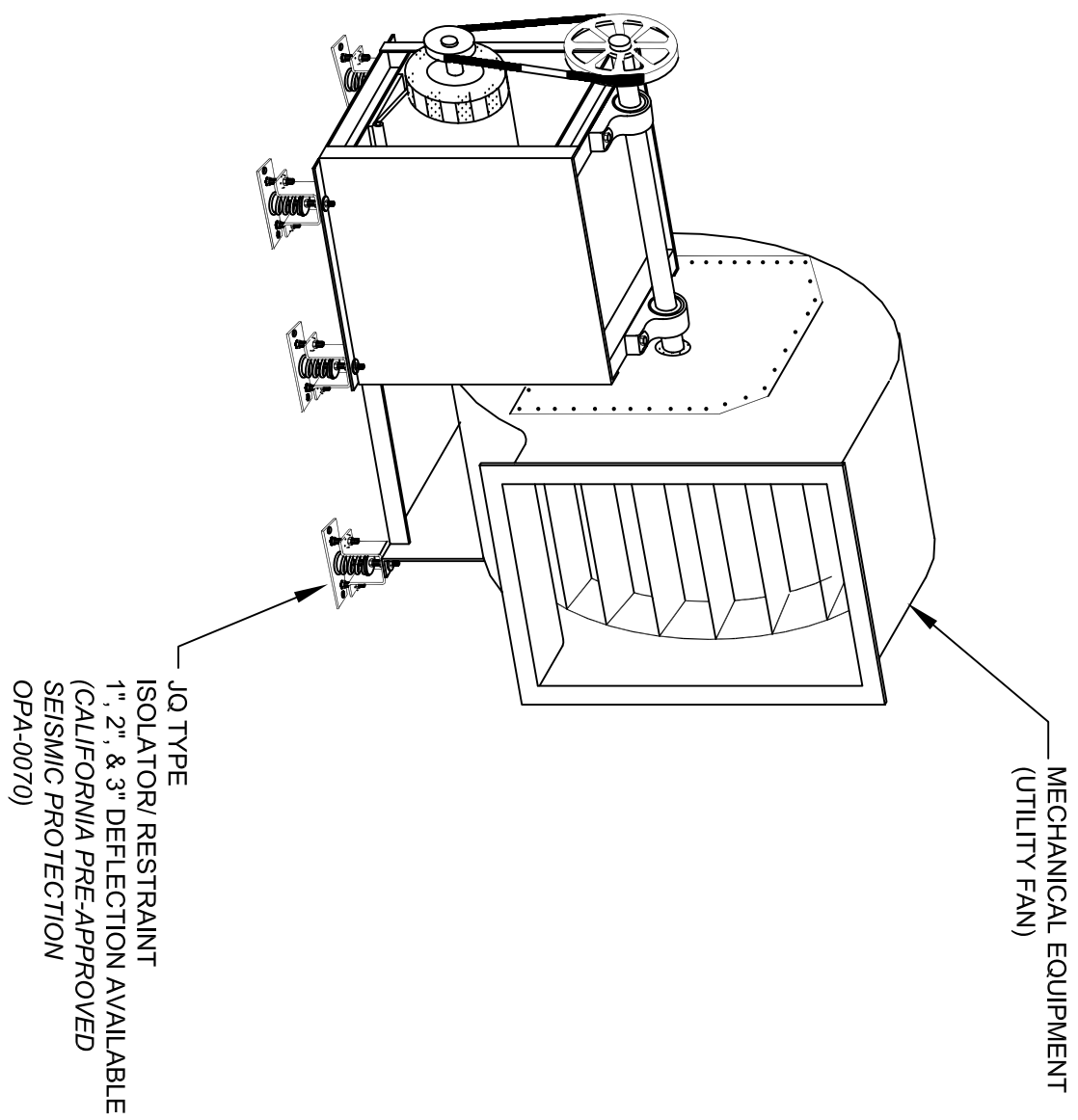


**VIBRATION/ISOLATION & SEISMIC DETAIL**



-

SCALE

N.T.S.

**FLOOR MOUNTED EQUIPMENT  
ON JQ ISOLATOR/ RESTRAINTS**