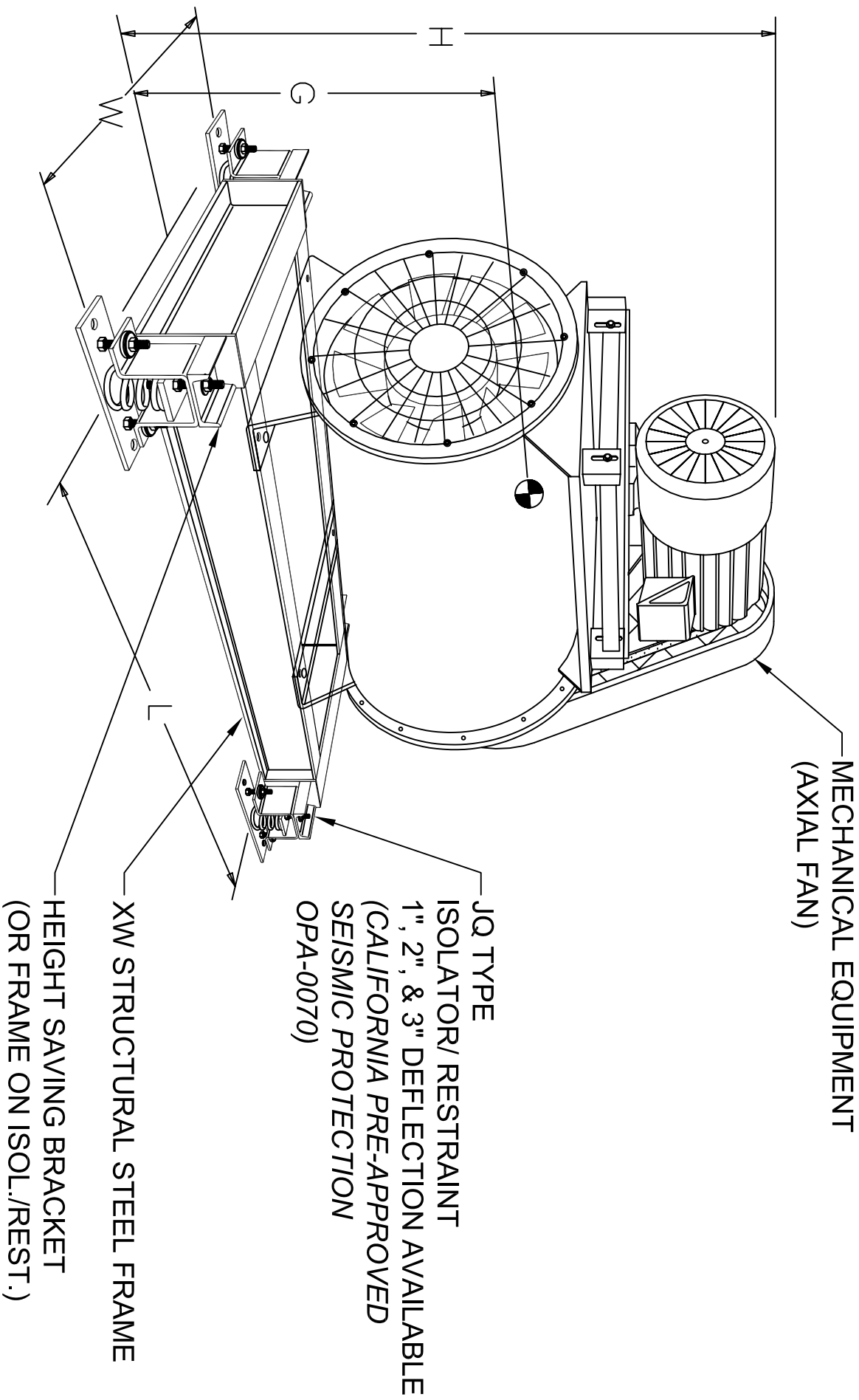


# VIBRATION/ ISOLATION & SEISMIC DETAIL



**XW-JQ**  
**STRUCTURAL STEEL FRAME**  
**WITH JQ ISOLATOR/ RESTRAINTS**

SCALE

N.T.S.

