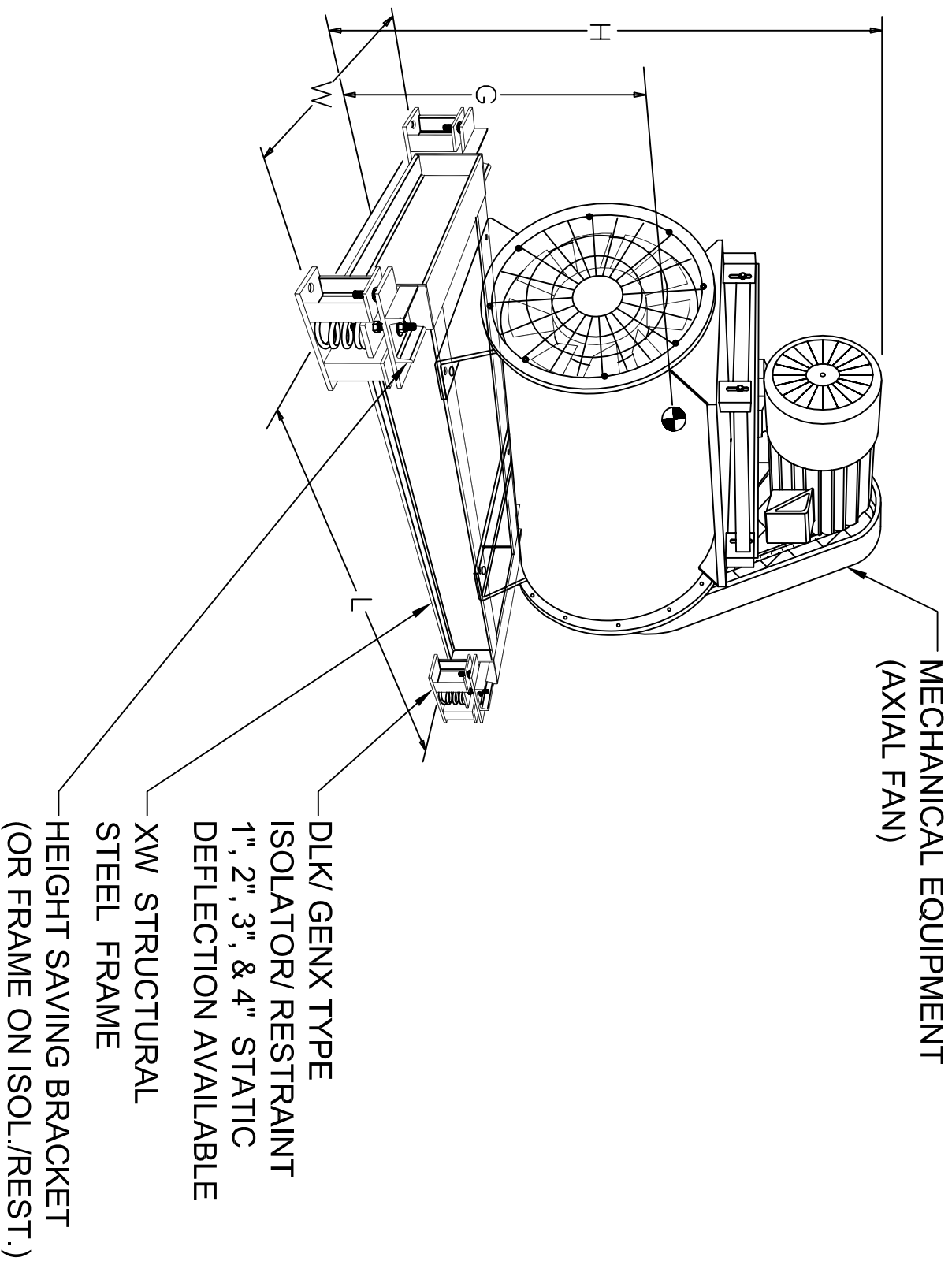


VIBRATION/ ISOLATION & SEISMIC DETAIL



SCALE	-
N.T.S.	

**XW-DLK/GENX
STRUCTURAL STEEL FRAME WITH DLK/GENX
ISOLATOR/ RESTRAINTS**