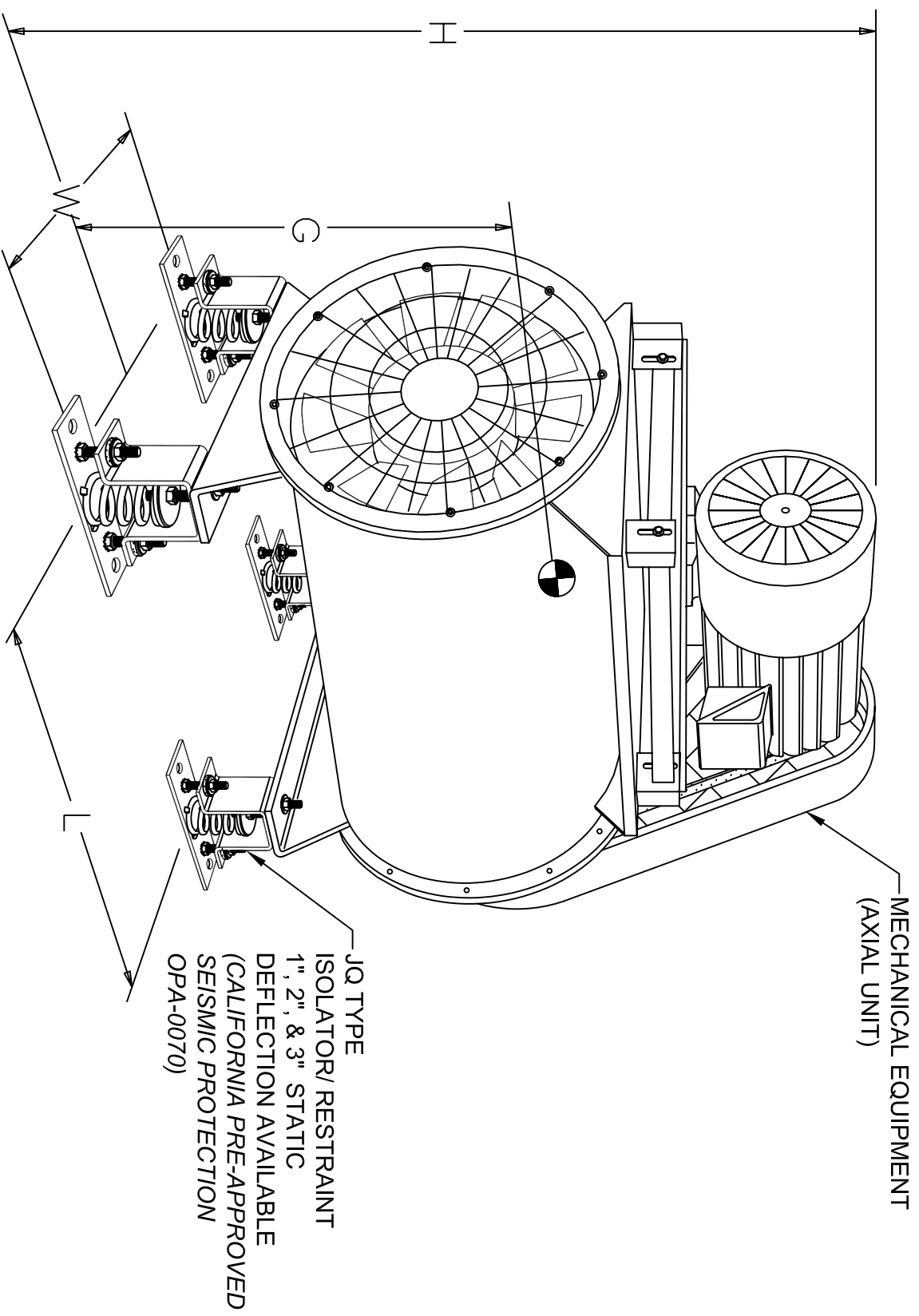


VIBRATION/ISOLATION & SEISMIC DETAIL



MECHANICAL EQUIPMENT
(AXIAL UNIT)

JQ TYPE
ISOLATOR/ RESTRAINT
1", 2", & 3" STATIC
DEFLECTION AVAILABLE
(CALIFORNIA PRE-APPROVED
SEISMIC PROTECTION
OPA-0070)

SCALE
N.T.S.

FLOOR MOUNTED EQUIPMENT ON JQ ISOLATOR/ RESTRAINTS