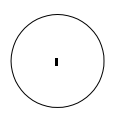
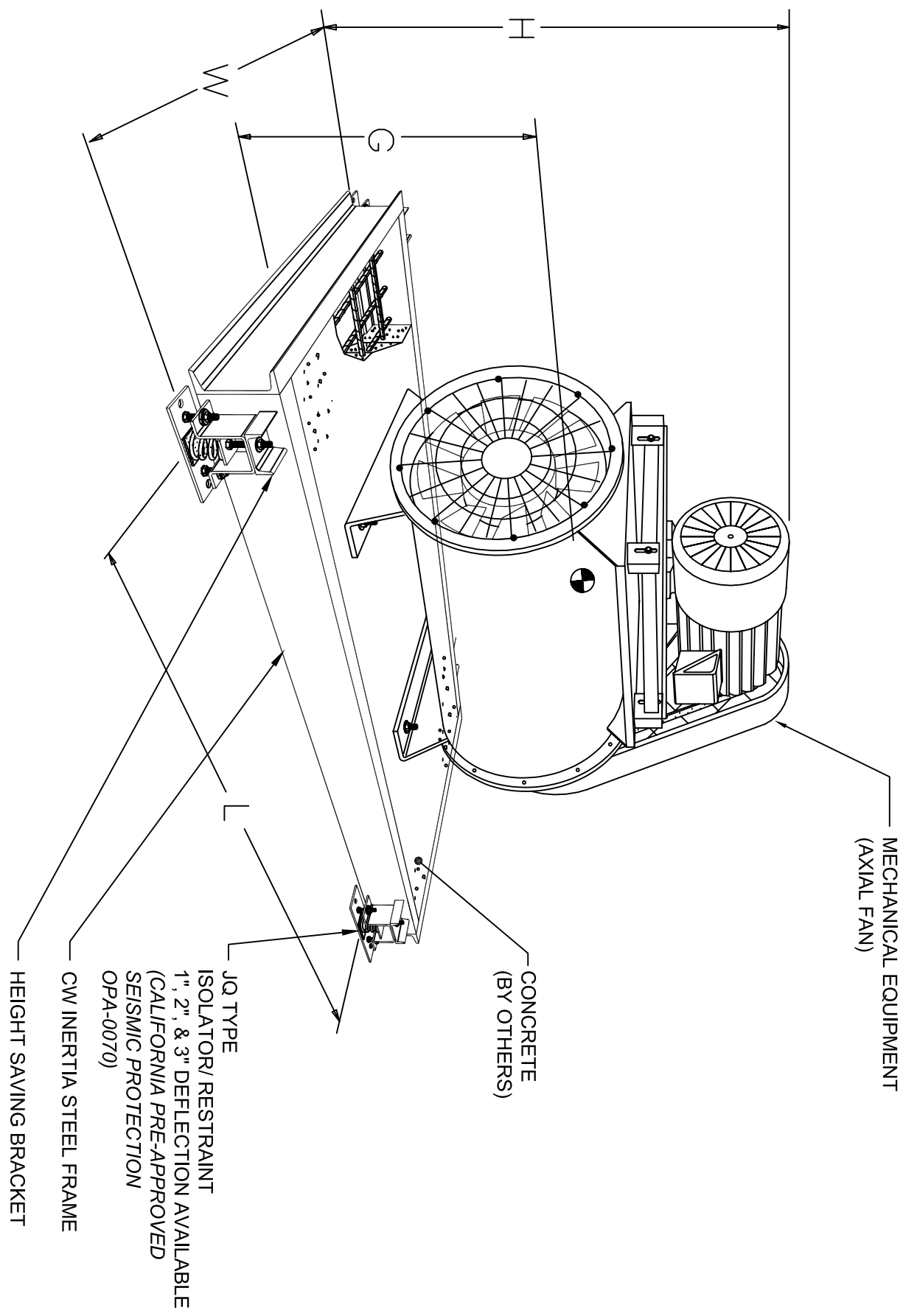


**VIBRATION/ISOLATION & SEISMIC DETAIL**



SCALE

N.T.S.

**CW-JQ  
INERTIA BASE FRAME  
WITH JQ ISOLATOR/ RESTRAINTS**