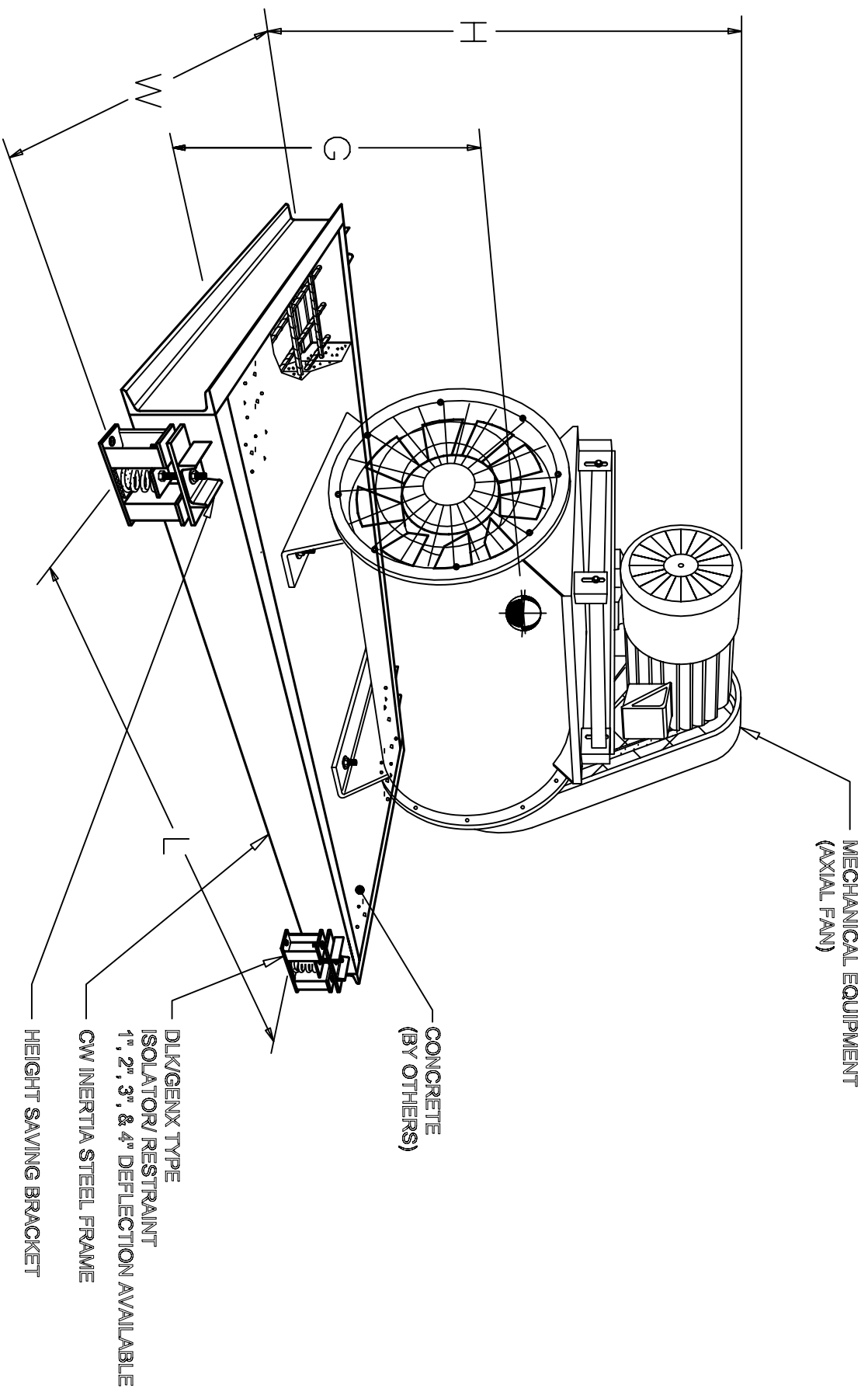


VIBRATION/ ISOLATION & SEISMIC DETAIL



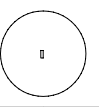
MECHANICAL EQUIPMENT  
(AXIAL FAN)

CONCRETE  
(BY OTHERS)

DLKGENX TYPE  
ISOLATOR/ RESTRAINT  
1", 2", 3", & 4" DEFLECTION AVAILABLE

CW INERTIA STEEL FRAME

HEIGHT SAVING BRACKET



SCALE

N.T.S.

CW-DLK/GENX  
INERTIA BASE FRAME  
WITH DLK/GENX ISOLATOR/ RESTRAINTS