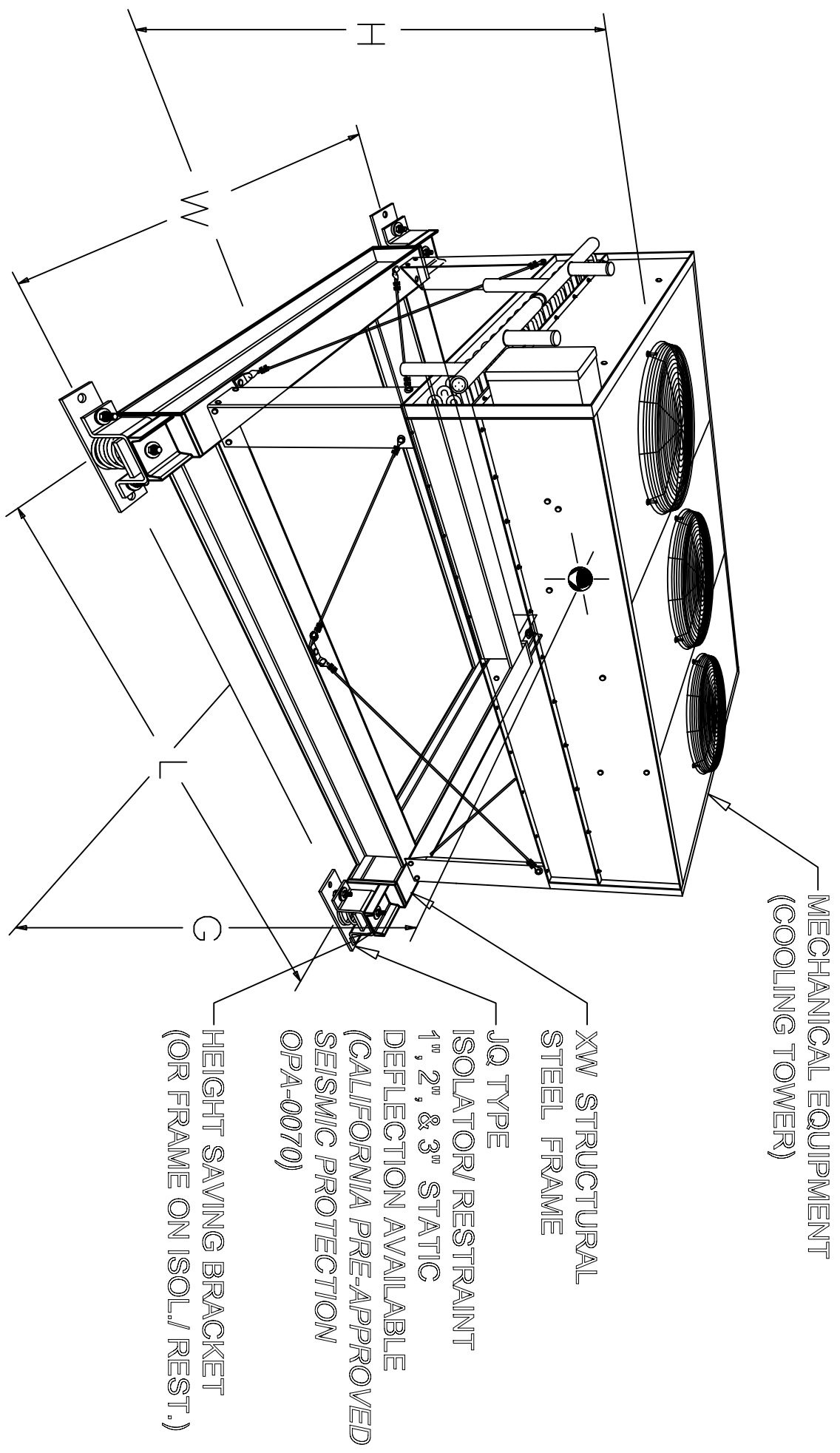


VIBRATION/ISOLATION & SEISMIC DETAIL



XW-JQ
STRUCTURAL STEEL FRAME
WITH JQ ISOLATOR/ RESTRAINTS

SCALE	-
N.T.S.	