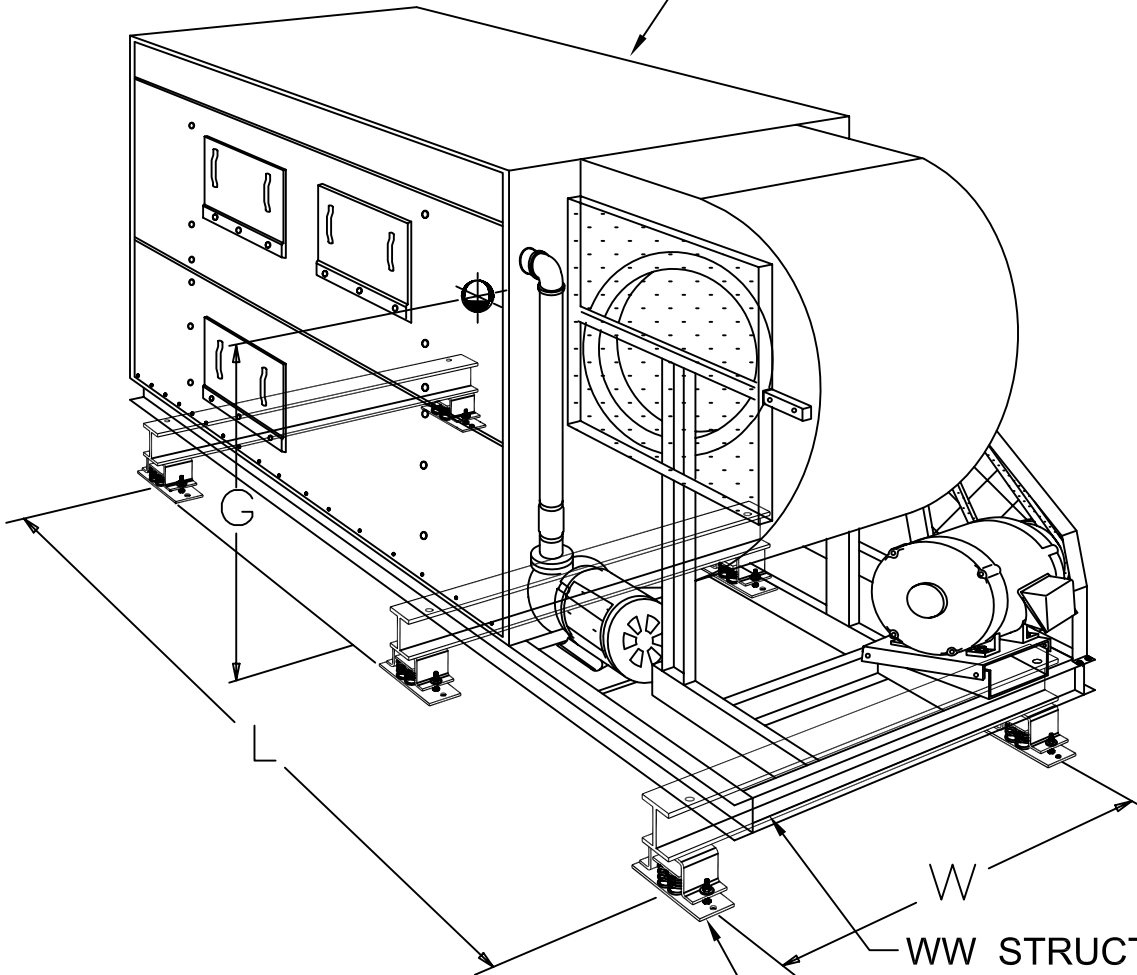


VIBRATION/ ISOLATION & SEISMIC DETAIL

MECHANICAL EQUIPMENT
(COOLING TOWER)



WW STRUCTURAL
STEEL RAILS
(NON-SEISMIC FRAME)
SEE XW FRAME FOR
SEISMIC APPLICATIONS

JQ TYPE
ISOLATOR/ RESTRAINT
1", 2", 3", & 4" STATIC
DEFLECTION AVAILABLE
*(CALIFORNIA PRE-APPROVED
SEISMIC PROTECTION
OPA-0070)*



SCALE

N.T.S.

WW-JQ STRUCTURAL STEEL RAILS
WITH JQ ISOLATOR/ RESTRAINTS