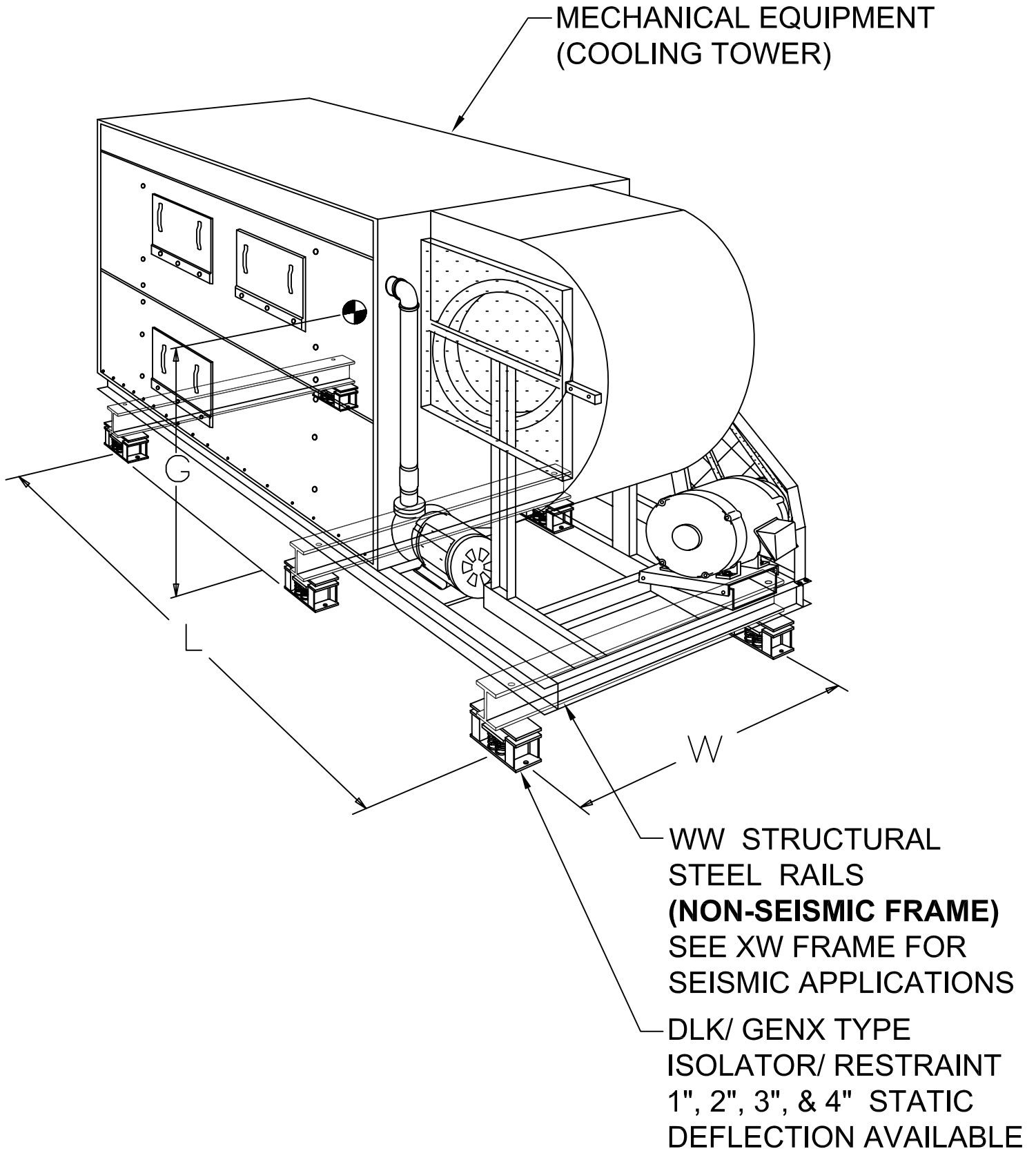


# VIBRATION/ ISOLATION & SEISMIC DETAIL



SCALE

N.T.S.

**WW-DLK/GENX STRUCTURAL STEEL RAILS**  
**WITH DLK/ GENX ISOLATOR/ RESTRAINTS**