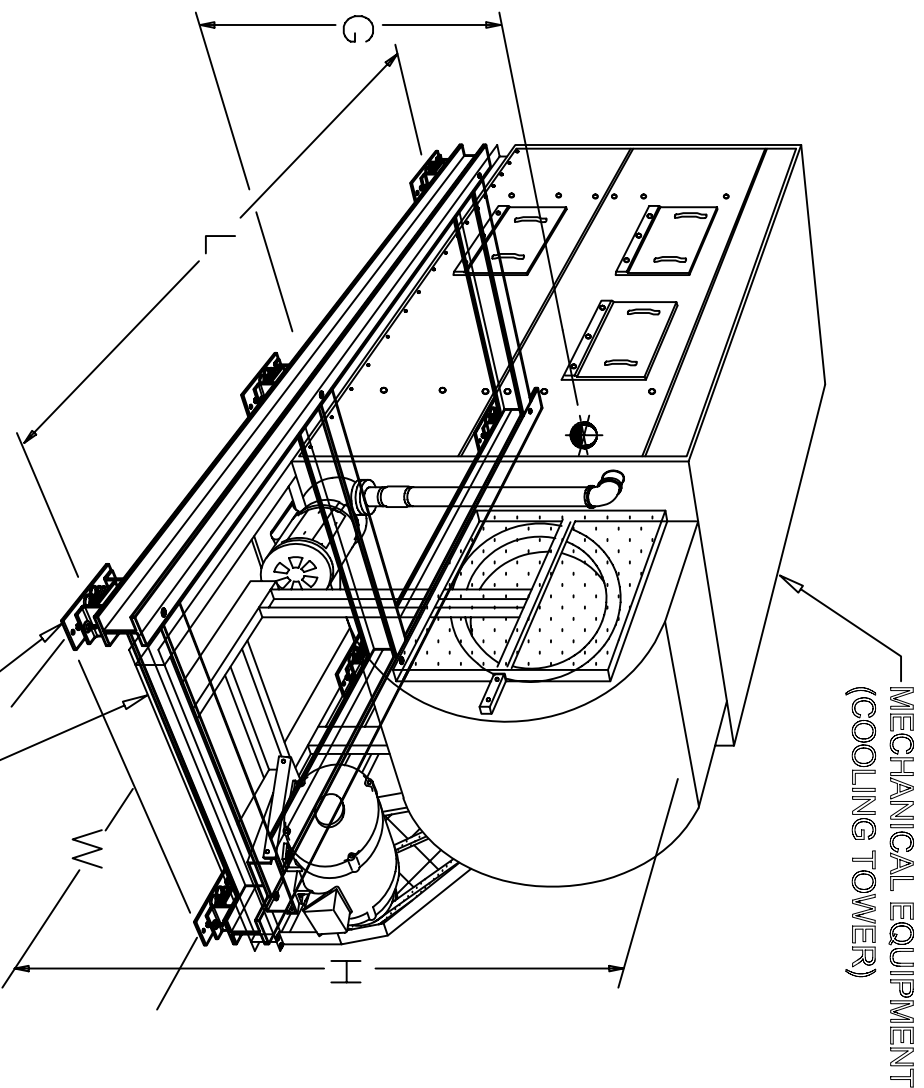


VIBRATION/ISOLATION & SEISMIC DETAIL



MECHANICAL EQUIPMENT
(COOLING TOWER)

XW STRUCTURAL
STEEL FRAME

JQ TYPE
ISOLATOR/RESTRAINT
1", 2", & 3" STATIC
DEFLECTION AVAILABLE
(CALIFORNIA PRE-APPROVED
SEISMIC PROTECTION
OPA-0070)

SCALE	-
N.T.S.	

XW-JQ STRUCTURAL STEEL FRAME
WITH JQ ISOLATOR/RESTRAINTS