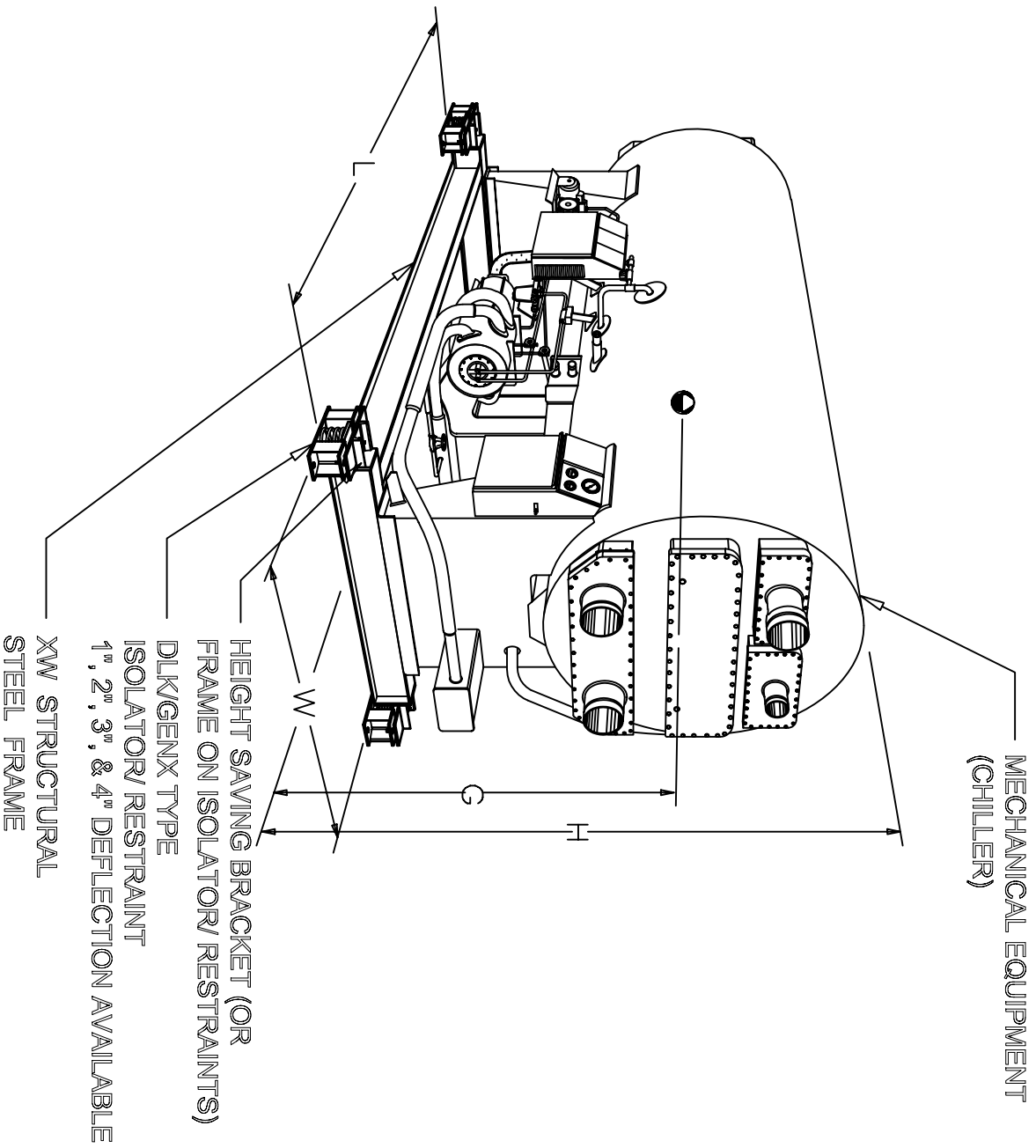


VIBRATION/ ISOLATION & SEISMIC DETAIL



SCALE

N.T.S.

XW-DLK/GENX
STRUCTURAL STEEL FRAME
WITH DLK/GENX ISOLATOR/ RESTRAINTS

