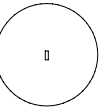
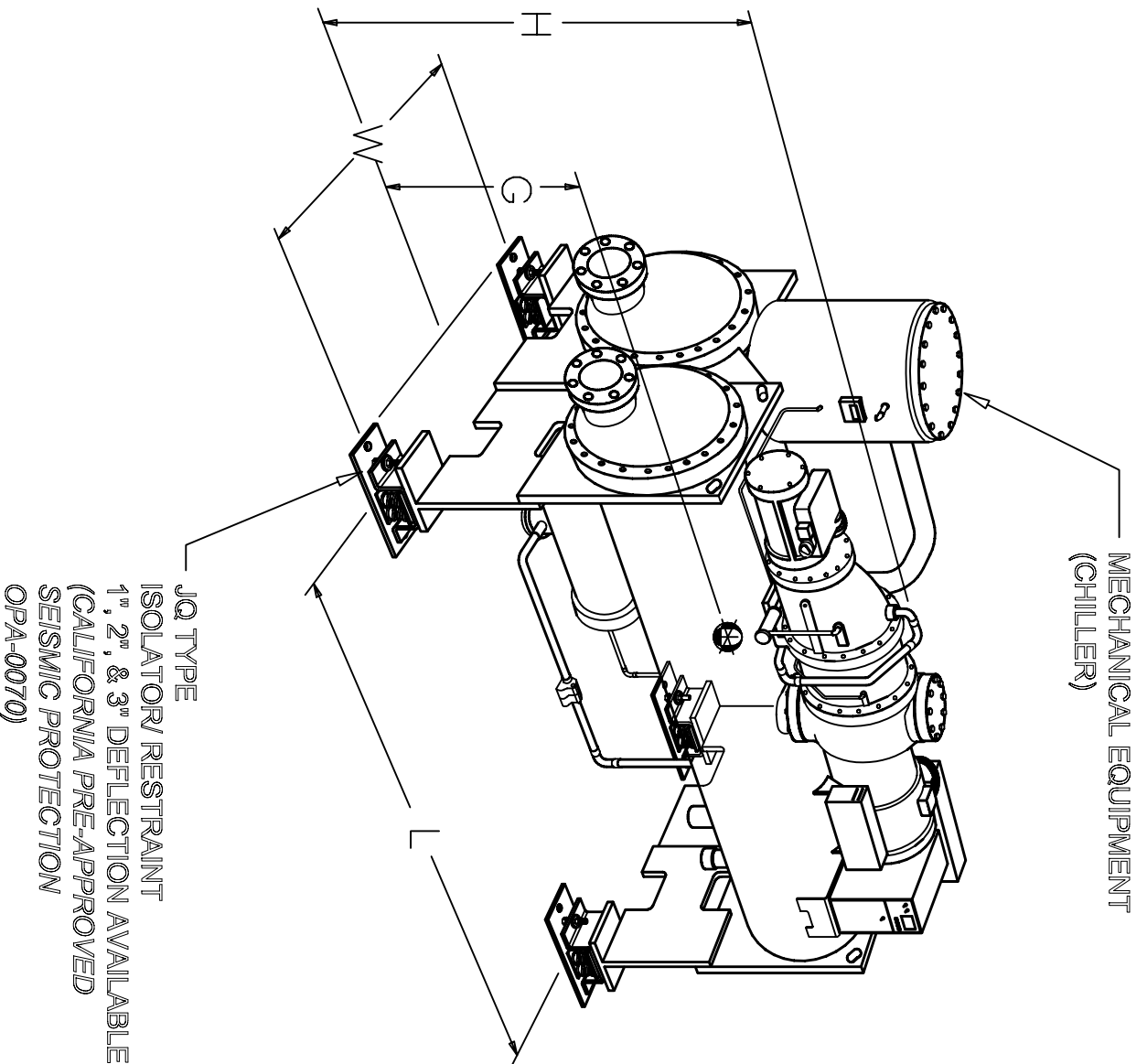


VIBRATION/ISOLATION & SEISMIC DETAIL



SCALE

N.T.S.

FLOOR MOUNTED EQUIPMENT
ON JQ ISOLATOR/RESTRAINTS