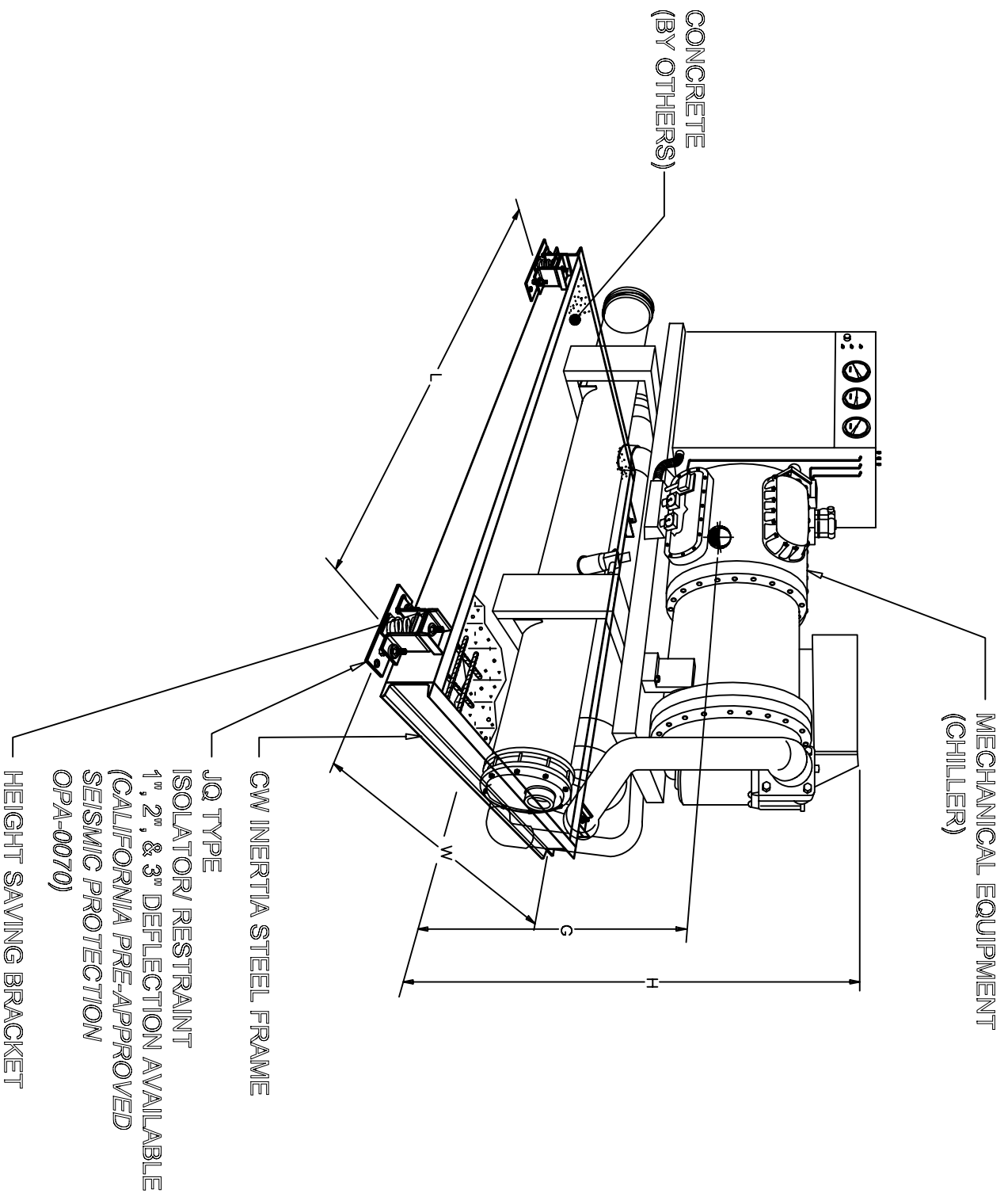


VIBRATION/ ISOLATION & SEISMIC DETAIL



|   |        |   |
|---|--------|---|
| - | SCALE  | <p><u>CW-JQ</u><br/> <u>INERTIA BASE FRAME</u><br/> <u>WITH JQ ISOLATOR/ RESTRAINTS</u></p> |
|   | N.T.S. |   |