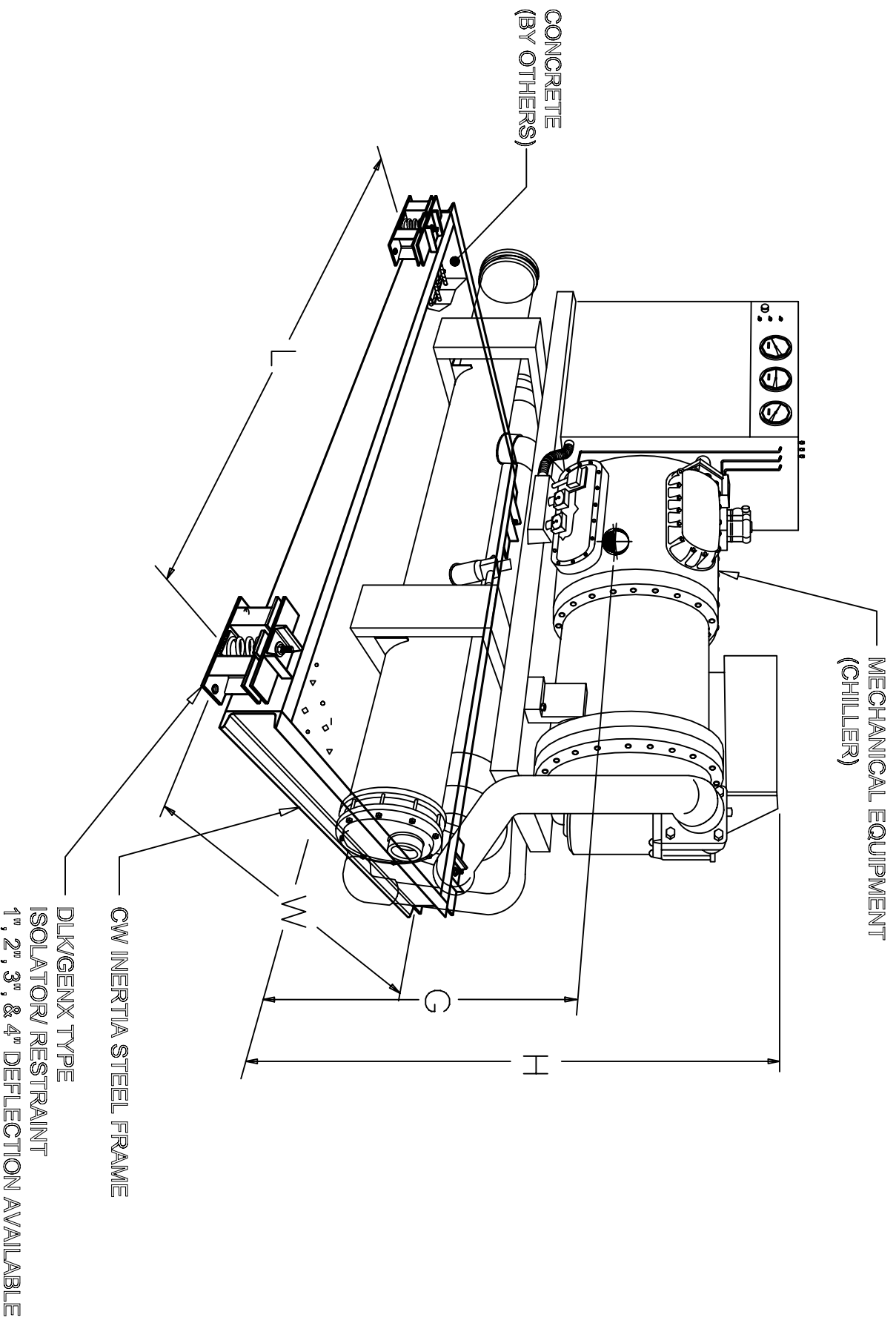


VIBRATION/ISOLATION & SEISMIC DETAIL



SCALE

N.T.S.

CW-DKL/GENX
INERTIA BASE FRAME
WITH DLK/GENX ISOLATOR/RESTRAINTS

