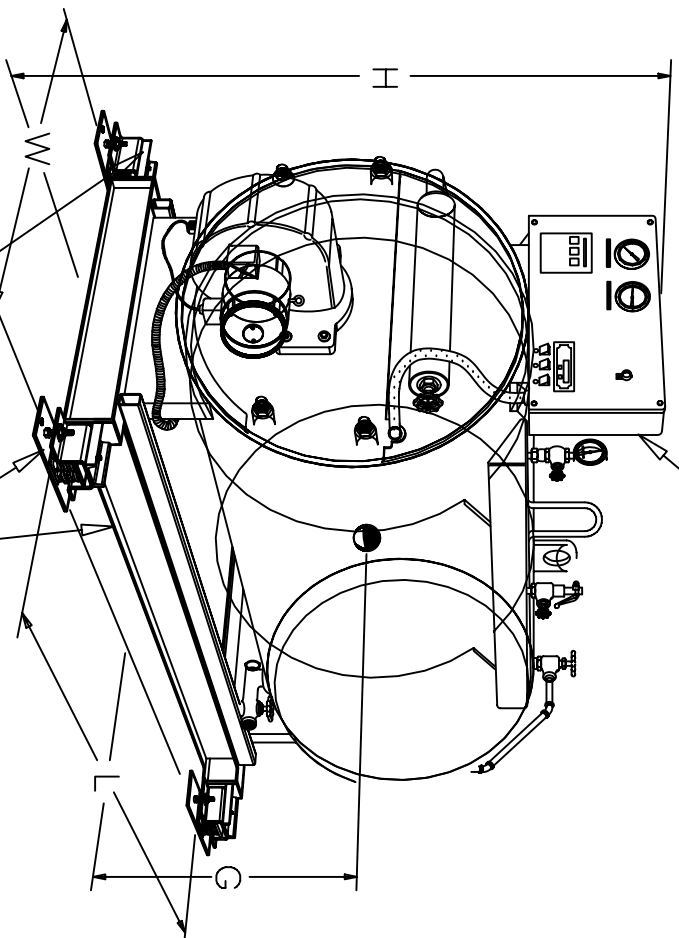


VIBRATION/ ISOLATION & SEISMIC DETAIL

MECHANICAL EQUIPMENT (BOILER)



XW STRUCTURAL STEEL FRAME

JQ TYPE

ISOLATOR/ RESTRAINT

1", 2", & 3" DEFECTION AVAILABLE

(CALIFORNIA PRE-APPROVED

SEISMIC PROTECTION

OPA-0070)

HEIGHT SAVING BRACKET

(OR FRAME ON ISOL./ RESTRAINTS)

STRUCTURAL STEEL FRAME

WITH JQ ISOLATOR/ RESTRAINTS

SCALE

N.T.S.

