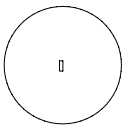
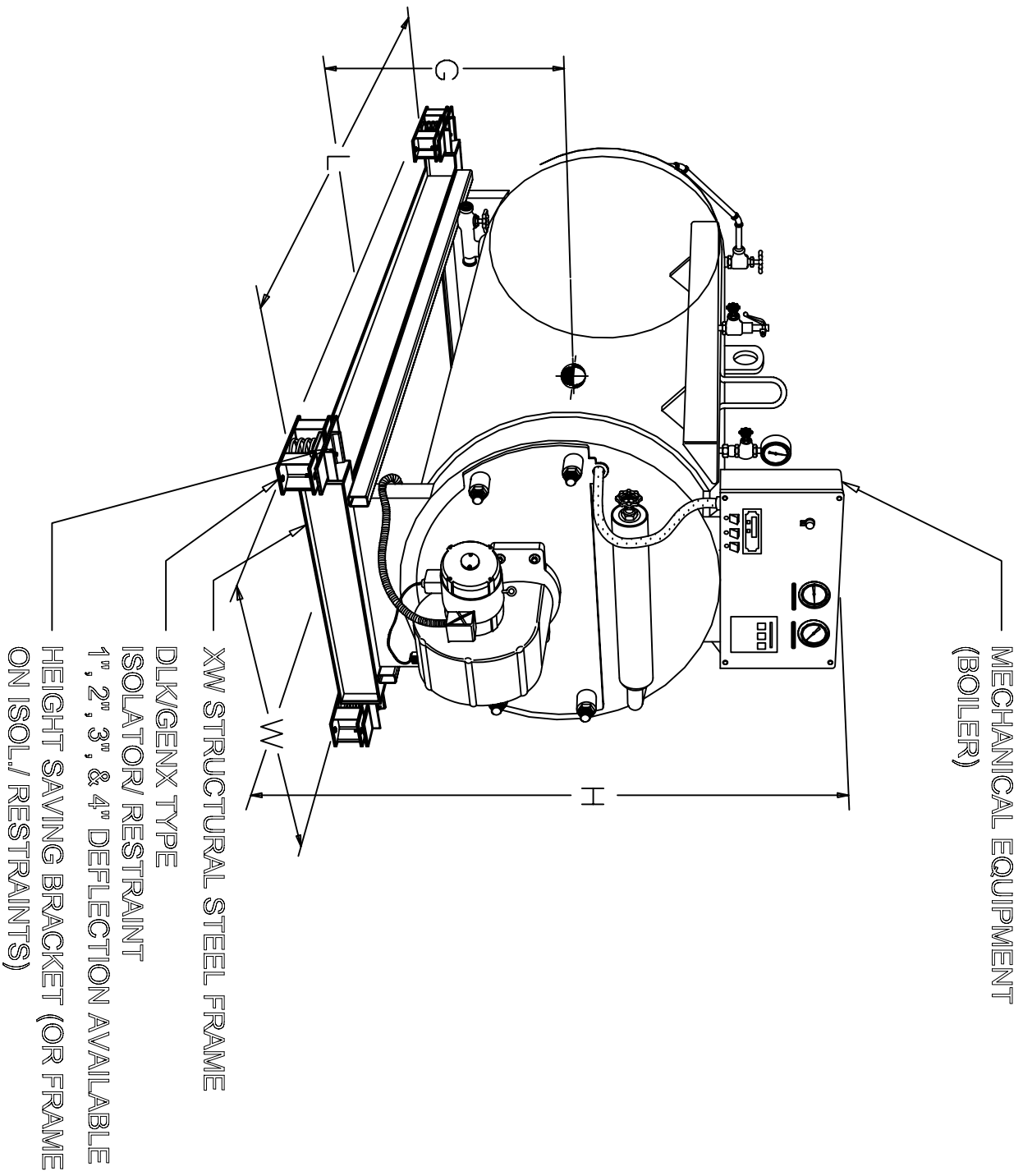


VIBRATION/ ISOLATION & SEISMIC DETAIL



SCALE

N.T.S.

XW-DLKGENX
STRUCTURAL STEEL FRAME
WITH DLKGENX ISOLATOR/ RESTRAINTS